

ROCK CRUSHER

INSTRUCTION MANUAL



ITEM NO. **RCF-1**

SPECIFICATIONS

WHEELBASE: 501MM-600MM

WIDTH: 339MM

HEIGHT: 177MM (NO BODY)

WEIGHT: 2720G (6 LBS) WITHOUT BATTERY

MOTOR: 70T HIGH TORQUE MOTOR

RADIO: 2CH HIGH QUALITY AM RADIO SYSTEM

STEERING: FRONT WHEEL STEERING (STANDARD)

FOUR WHEEL STEERING (OPTION)

SLIPPER: HIGH EFFICIENCY SLIPPER SYSTEM

DIFF.: ALUMINUM HIGH EFFICIENCY DIFF. SYSTEM

WHEEL: ELECTROPLATE PLASTIC WHEEL

TIRE: 57 X 35 X 75 MM HIGH GRIP COMPOUND TIRE

FEATURES

- ARTICULATION: 80°

- COMPLETE READY TO RACE/CRAWL OUT OF THE BOX

- 4WD

- 70T ELECTRIC MOTOR

- 16T PINION PAIRED WITH AN 81T SPUR GEAR GIVES YOU A QUICK ROCK RACER RATIO. OR INSTALL THE INCLUDED 15T PINION FOR A SLOWER ROCK CRAWLING RATIO.

- TRUE BEADLOCKS: NO MESSY GLUE!

- HI-QUALITY COMPOSITE PLASTIC AND METALS

- DURABLE (ESC) ELECTRONIC SPEED CONTROLLER:

HI-QUALITY DURABLE FORWARD AND REVERSE SPEED CONTROLLER WITH NEUTRAL LOCK FUNCTION.

- HI-TORQUE SERVO HELP HOLD YOUR LINE WHEN ROCK CRAWLING

- SLIPPER CLUTCH: REDUCES GEAR WOBBLE FOR A MORE EFFICIENT DRIVETRAIN. ALLOWS A MOTOR TO WORK MORE EFFICIENTLY AND GREATLY ENHANCES THE DURABILITY OF THE DRIVETRAIN.



HIMOTO

www.HIMOTORACING.COM

Required equipment for operation

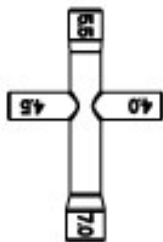
1. Tools required for building and maintenance:



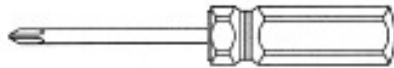
- Hobby knife



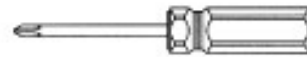
- Lexan scissors



- Cross wrench



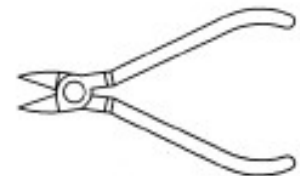
- Flat and Philips screwdriver



- Thread locking compound



- Needle nose pliers



- Wire cutters



- Hex wrench

WARNING!

Do not use a power screw driver to install screws into nylon or plastic materials. The fast locking may heat up the screws being installed that may break the molded parts or strip the threads during installation.

2. Additional items needed for operation:



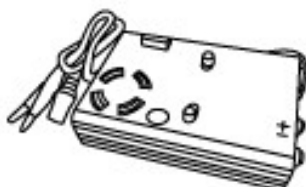
03088

Esc for Rock crusher



SX001

9kg Servo



Quick charger



8pcs AA alkaline
batteries for
transmitter



CDT-2711

Transmitter



H003

Receiver

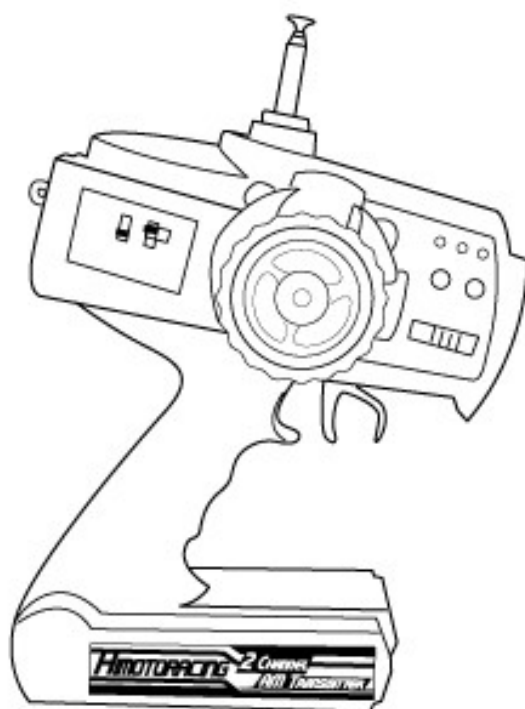
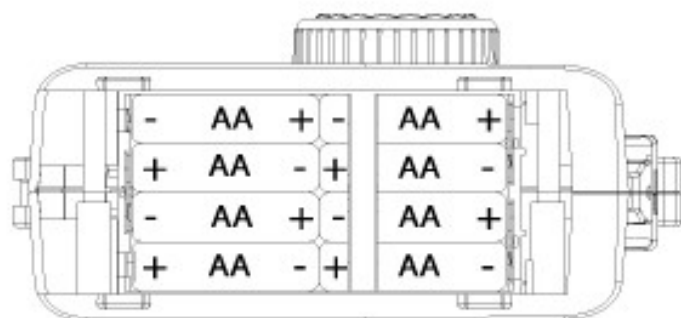
IMPORTANT!!!

Check all the screws are tight before playing the car!
Use thread lock on all screws that work loose.

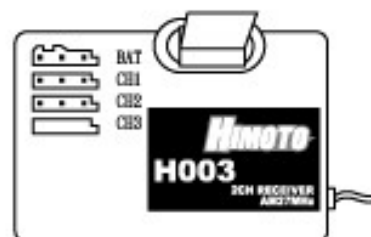
Please read the instruction carefully before start the assembly.

1. Please assembly and install this product without children. As the product include the small and sharp parts.
2. Do not run the truck in public street or highways. As it might be cause serious accidents, personal injuries and property damage etc.
3. During the middle of racing and after operation, the engine and exhaust will become HOT. Therefore please do not touch them before cooling down.
4. Please make sure everyone is using different frequencies while racing the truck in the same area.

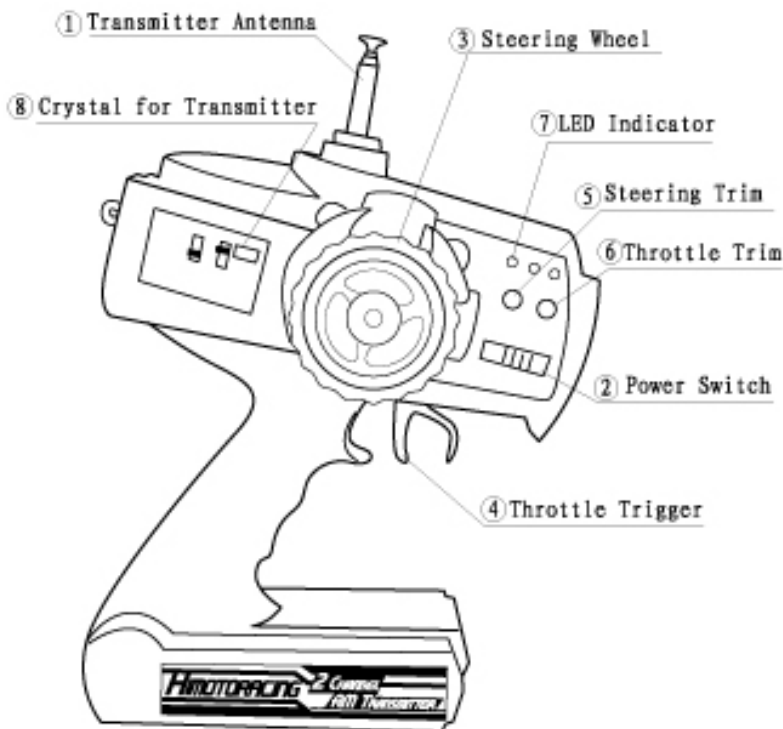
TRANSMITTER PREPARATION



- Install eight "AA" batteries into transmitter, making sure the polarity is correct.
- Insert the antenna into the top of the transmitter and tighten.
- Turn the transmitter on and check the battery light.
- If all LED's light up, the batteries are acceptable. If only the red LED lights up, immediately replace the batteries.



GLOSSARY OF TRANSMITTER



- ① The transmitter antenna is for transmit the radio waves.
- ② The power switch is for switching the power on/off.
- ③ The steering wheel is for controlling the direction of right/left.
- ④ The throttle trigger is for controlling the throttle and brake.
- ⑤ The steering trim is for adjusting the position of neutral.(right/left)
- ⑥ The throttle trim is for adjusting the carb in idle position.
- ⑦ The LED indicator is for showing the remaining amount of the battery.when turn on the power switch.
- ⑧ Crystal for transmitter is for changing the radio frequency by replacing the crystal.

BEFORE THE OPERATING

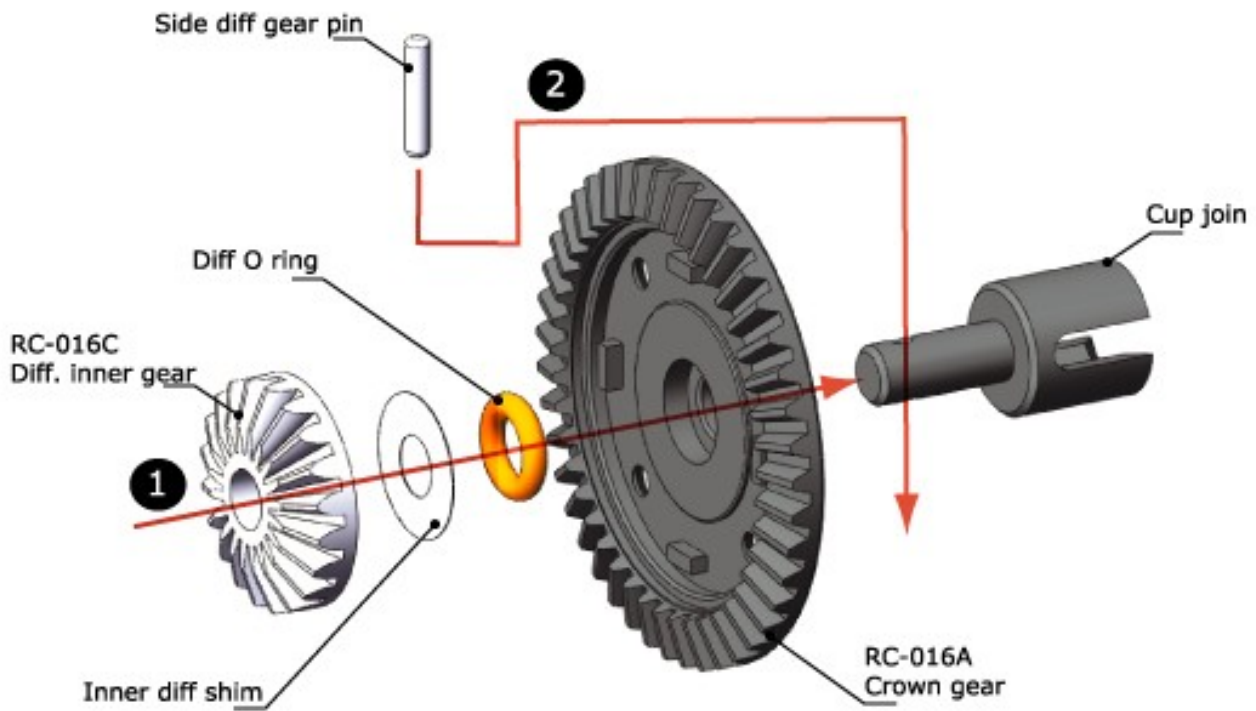
- Install the receiver antenna.
- Install the transmitter antenna.
- Loading the battery on the transmitter.
- Install the charged battery on the truck.

RC OPERATING PROCEDURES

- 1.Please pull out the transmitter antenna and then turn on the power switch first, before turning on the receiver.
- 2.Please raises the tires off the ground and check up the control is respond.
- 3.Hold the throttle trigger to let truck running.if it doesn't work please adjust the throttle servo and trim.
- 4.Please replace the battery,when speed drops down.
- 5.When you finish the racing,please turn the receiver switch off first,and then the transmitter.
- 6.Please make sure the battery is disconnect and remove the battery after finishing the racing.

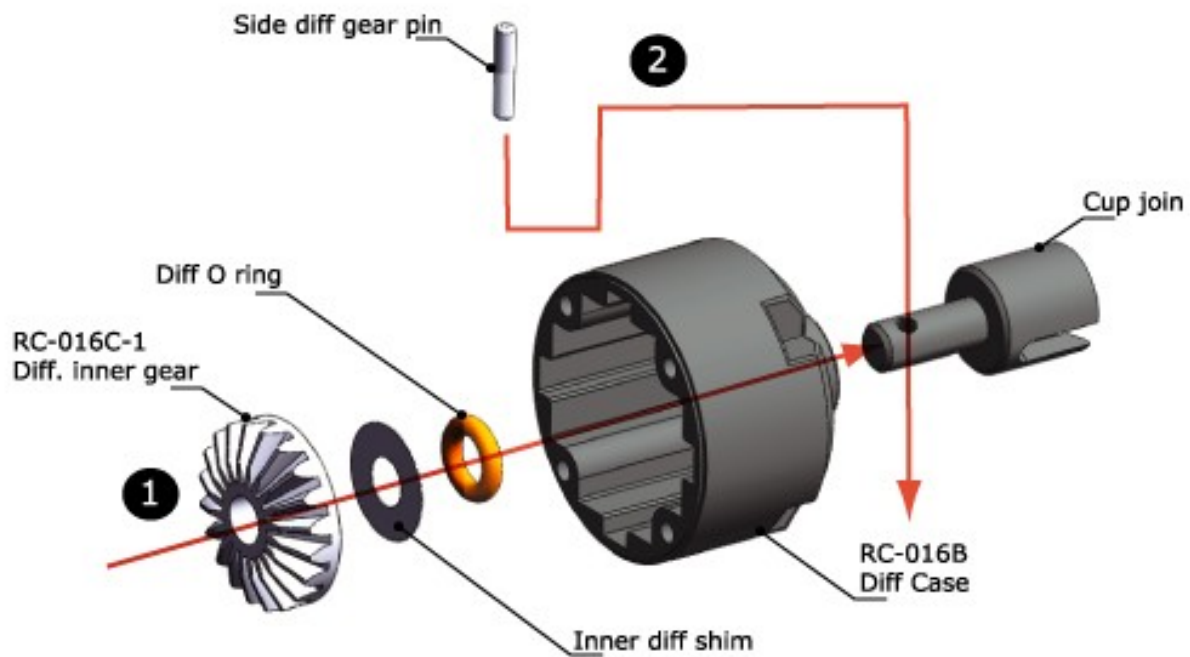
STEP 1-1

DIFF ASSEMBLY



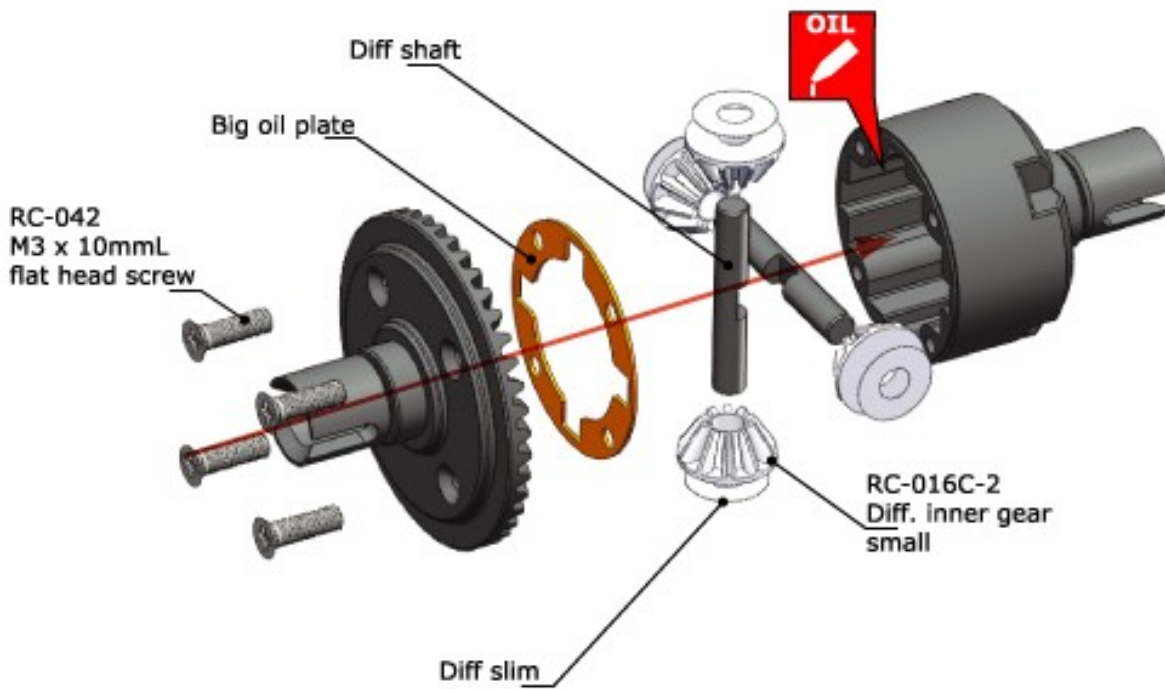
STEP 1-2

DIFF ASSEMBLY



STEP 1-3

DIFF ASSEMBLY



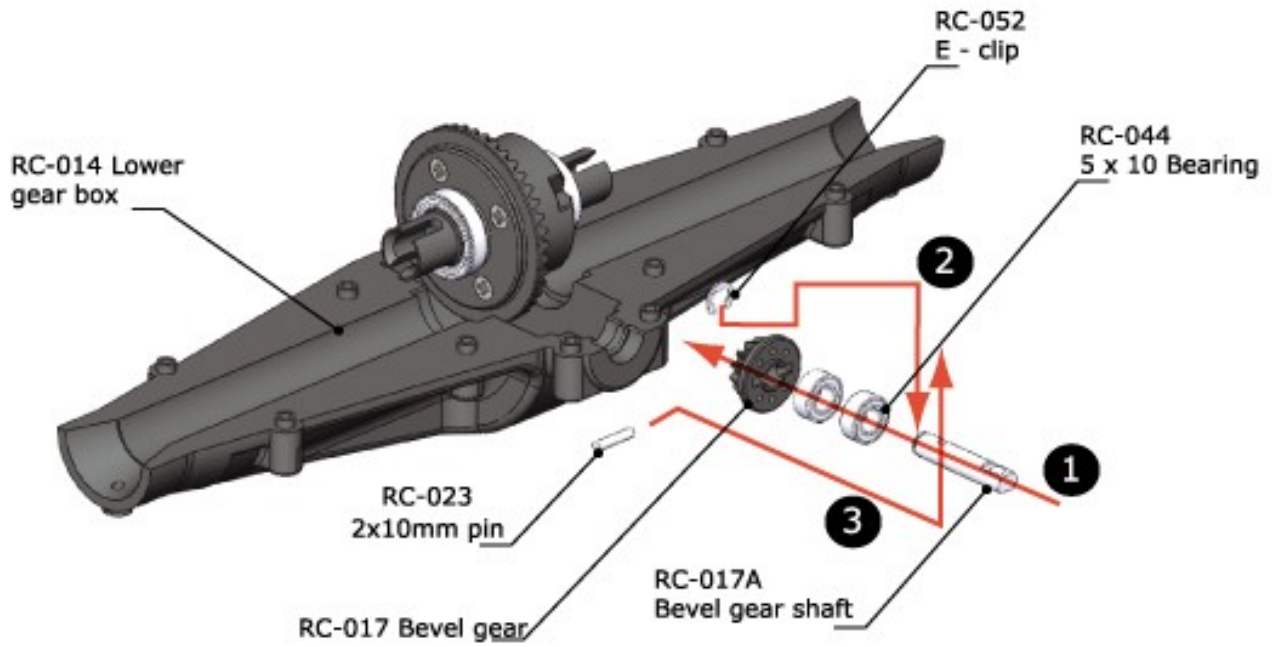
STEP 1-4

DIFF ASSEMBLY



STEP 2-1

FRONT & REAR GEAR BOX ASSEMBLY



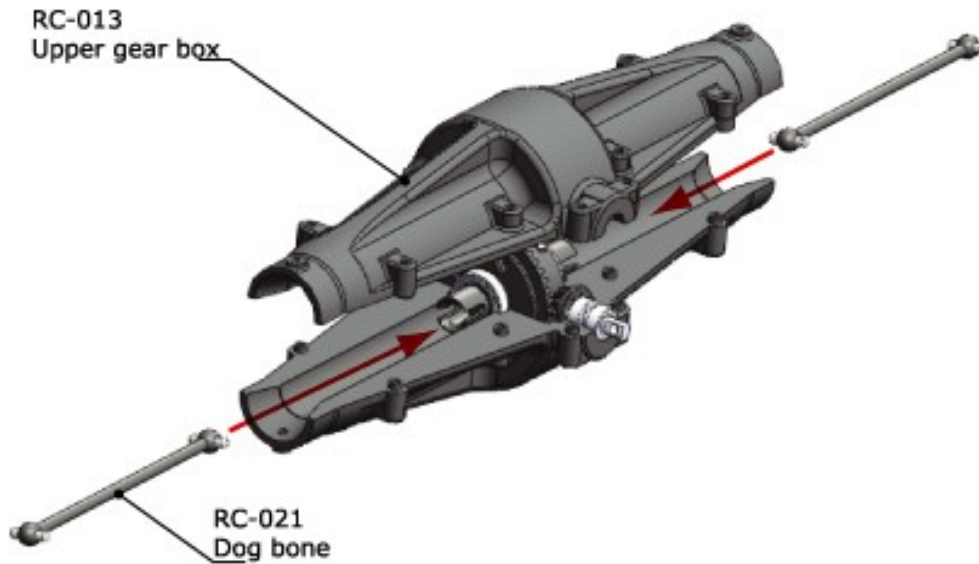
STEP 2-2

FRONT & REAR GEAR BOX ASSEMBLY



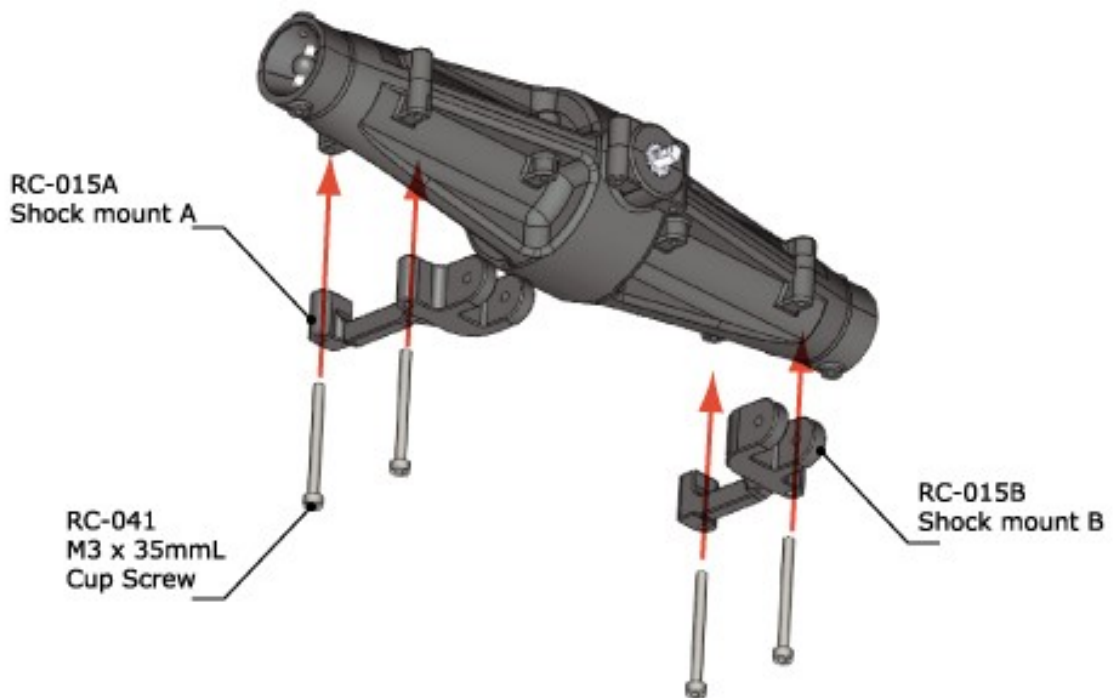
STEP 2-3

FRONT & REAR GEAR BOX ASSEMBLY



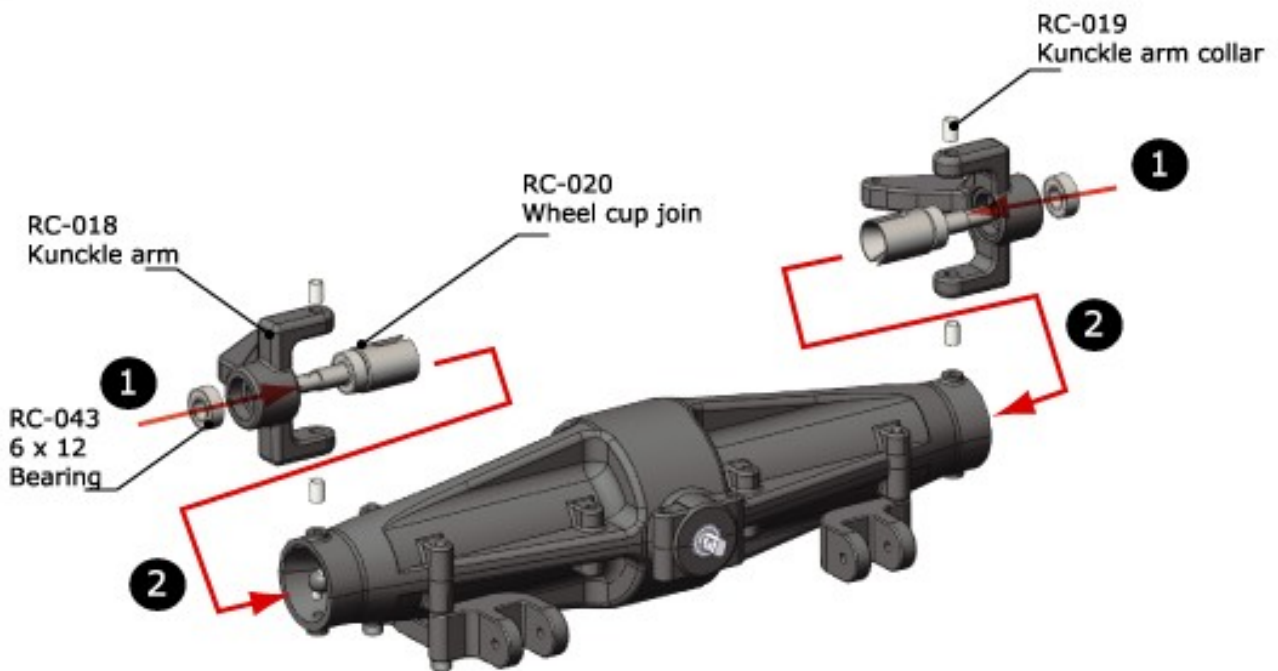
STEP 2-4

FRONT & REAR GEAR BOX ASSEMBLY



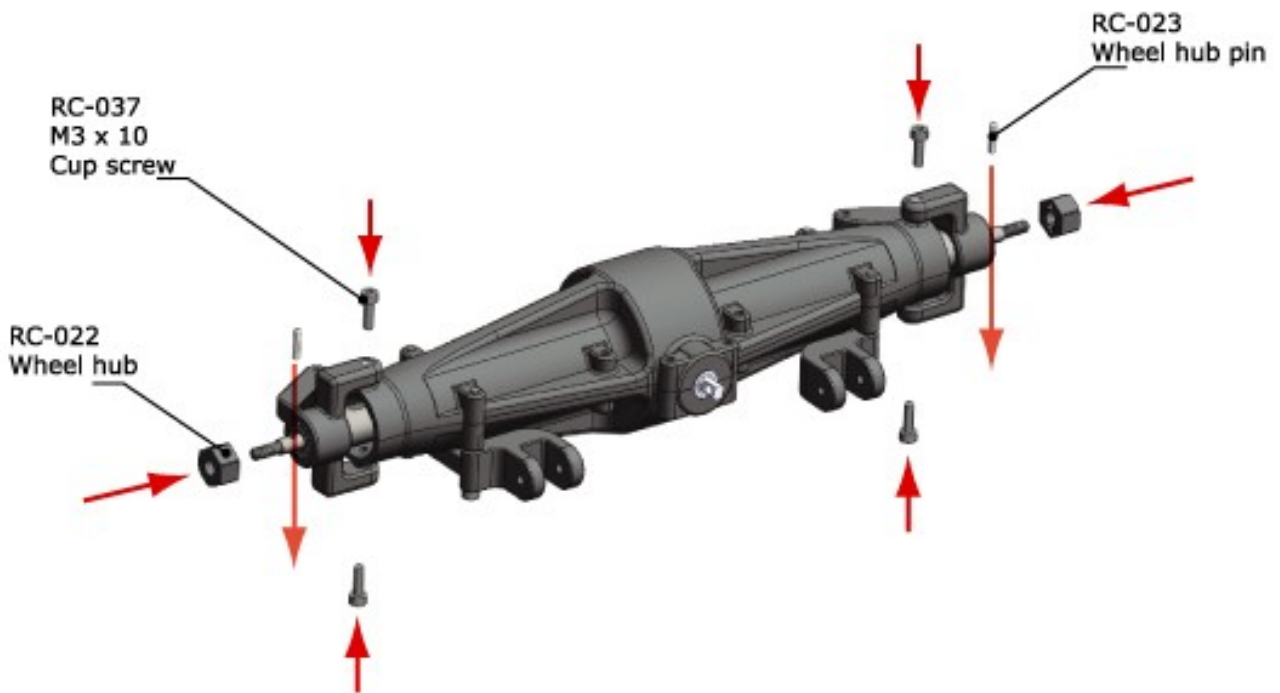
STEP 2-5

FRONT & REAR GEAR BOX ASSEMBLY



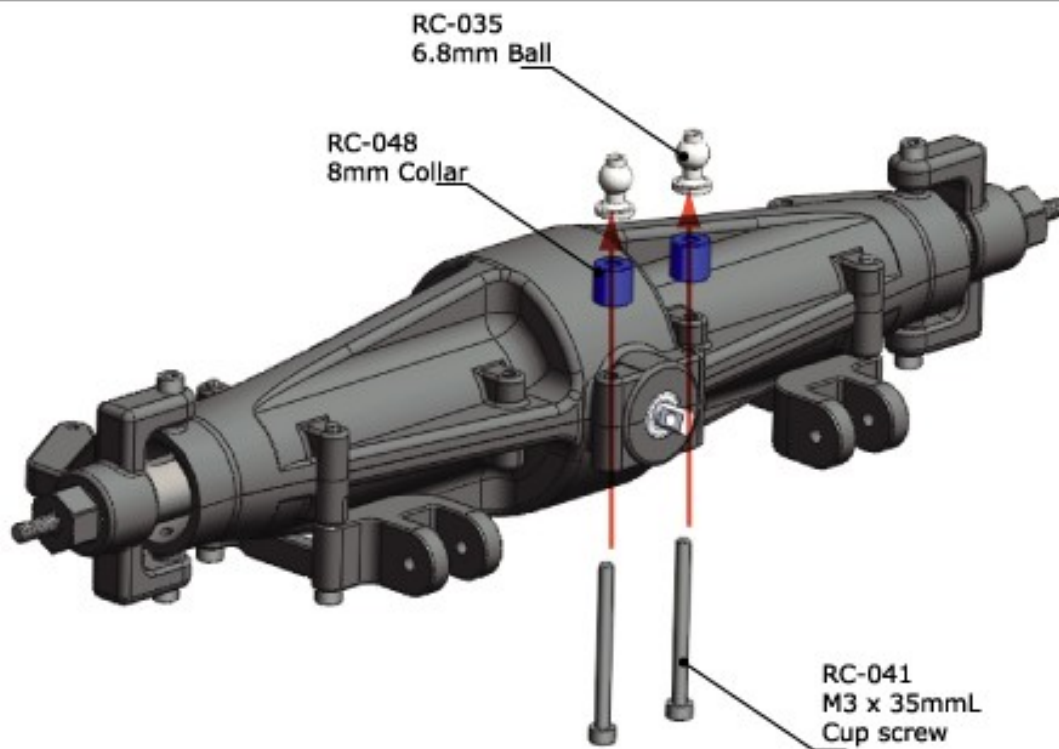
STEP 2-6

FRONT & REAR GEAR BOX ASSEMBLY



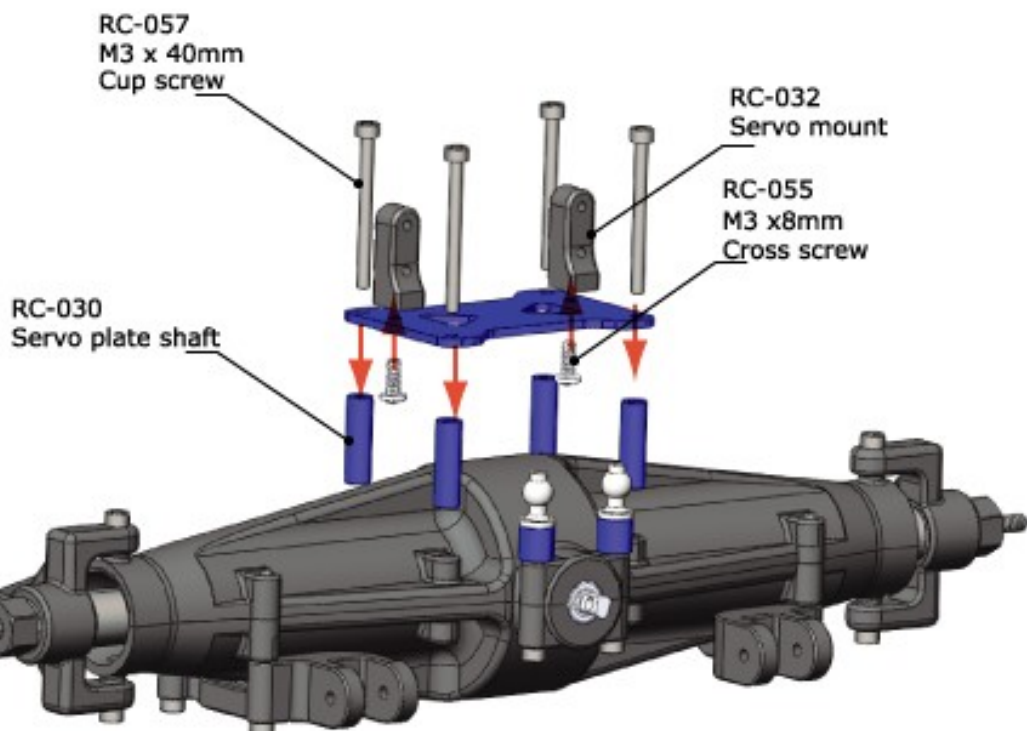
STEP 2-7

FRONT & REAR GEAR BOX ASSEMBLY



STEP 2-8

FRONT & REAR GEAR BOX ASSEMBLY



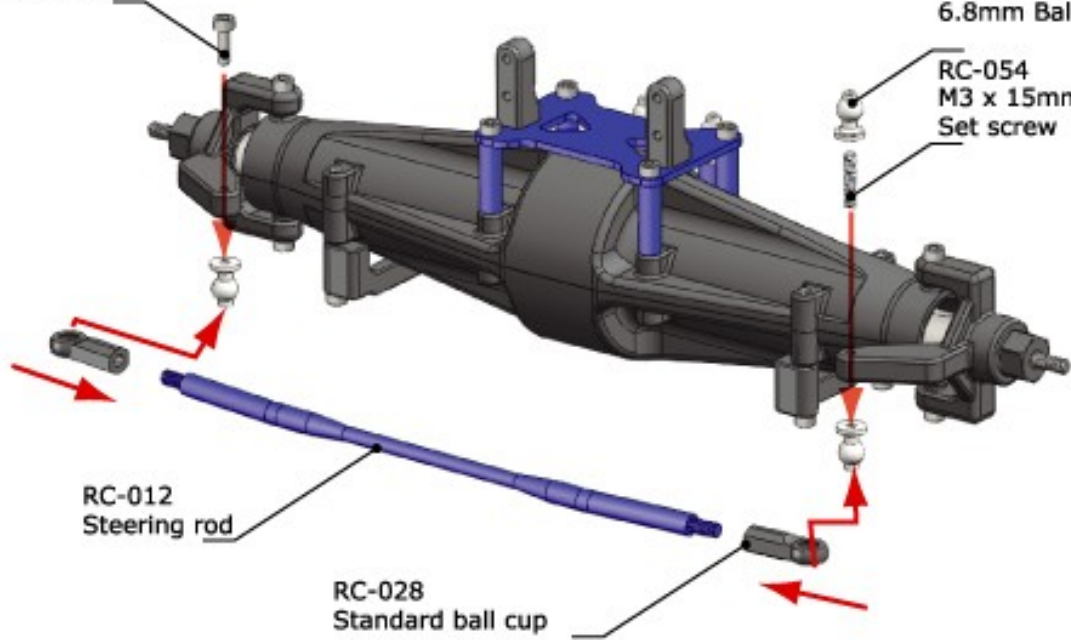
STEP 2-9

FRONT GEAR BOX ASSEMBLY

RC-037
M3 x 10mm
Cup screw

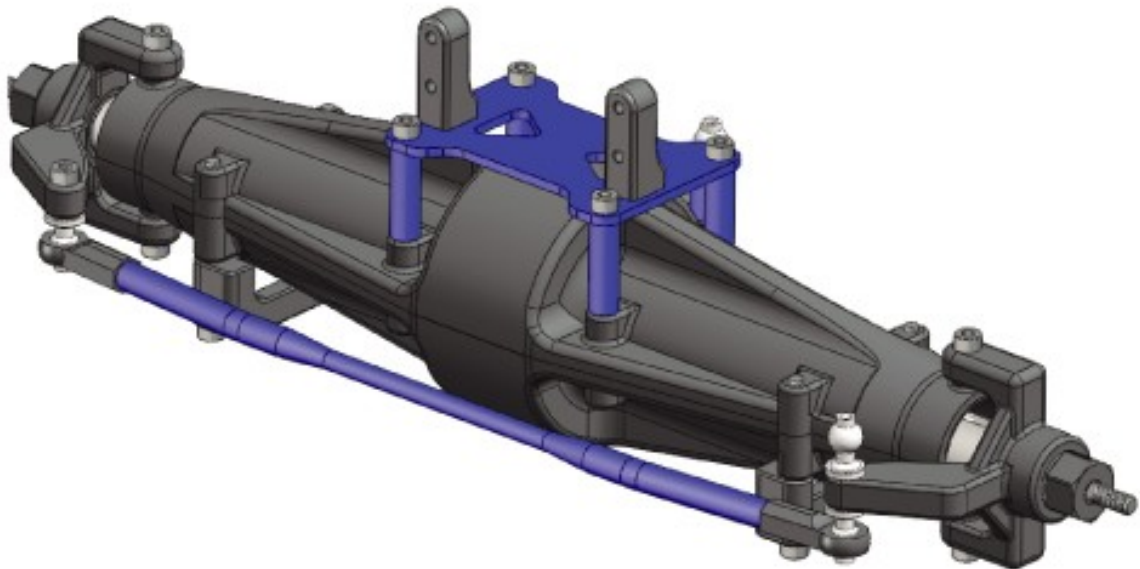
RC-035
6.8mm Ball

RC-054
M3 x 15mm
Set screw



STEP 2-10

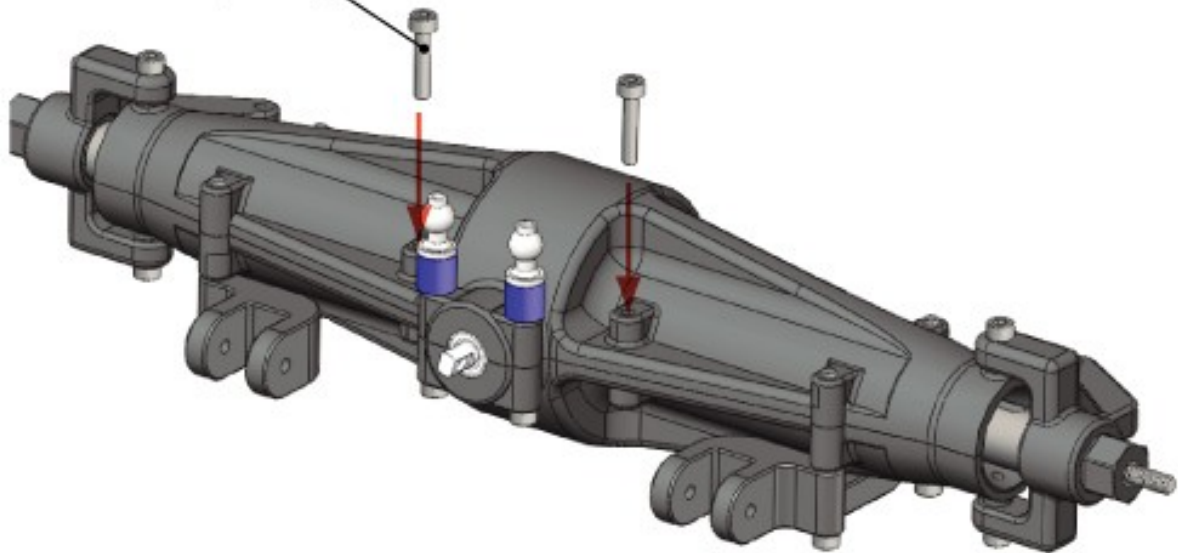
FRONT GEAR BOX ASSEMBLY COMPLETE



STEP 2-11

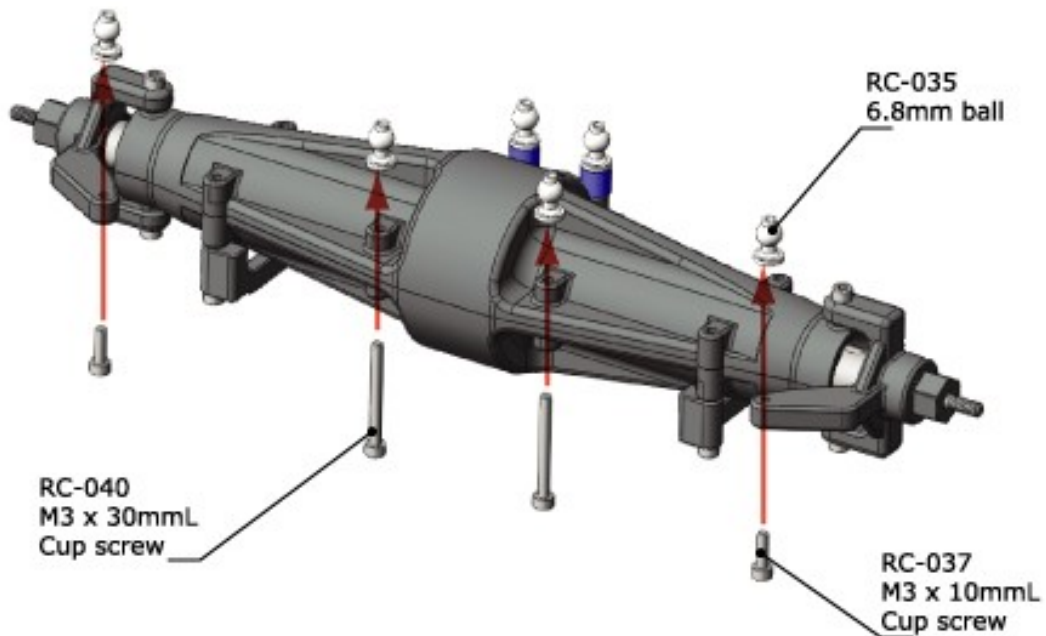
REAR GEAR BOX ASSEMBLY

RC-038
M3 x 15mmL
Cup screw



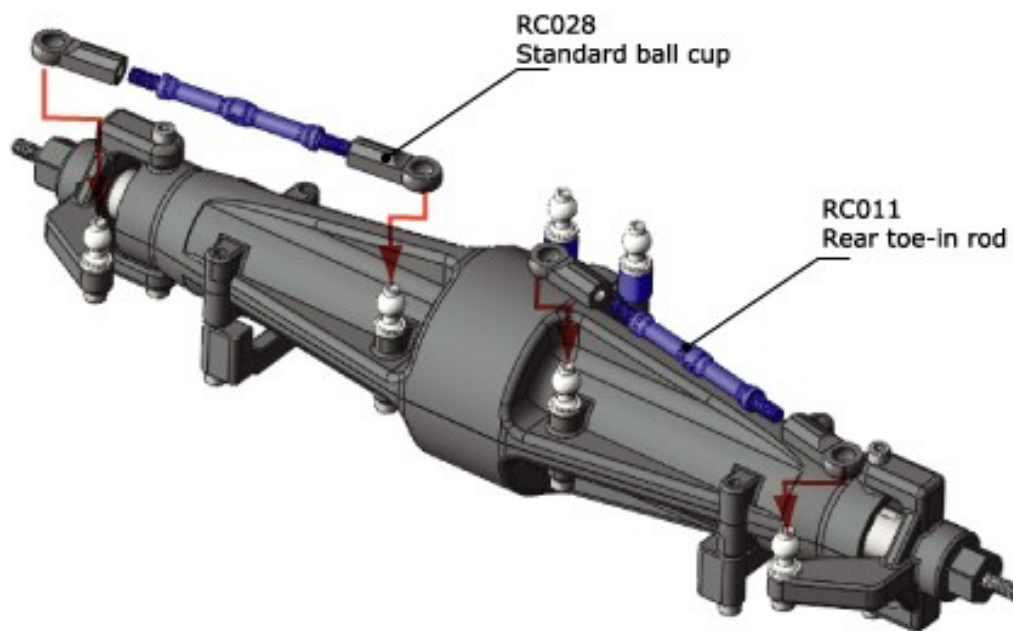
STEP 2-12

REAR GEAR BOX ASSEMBLY



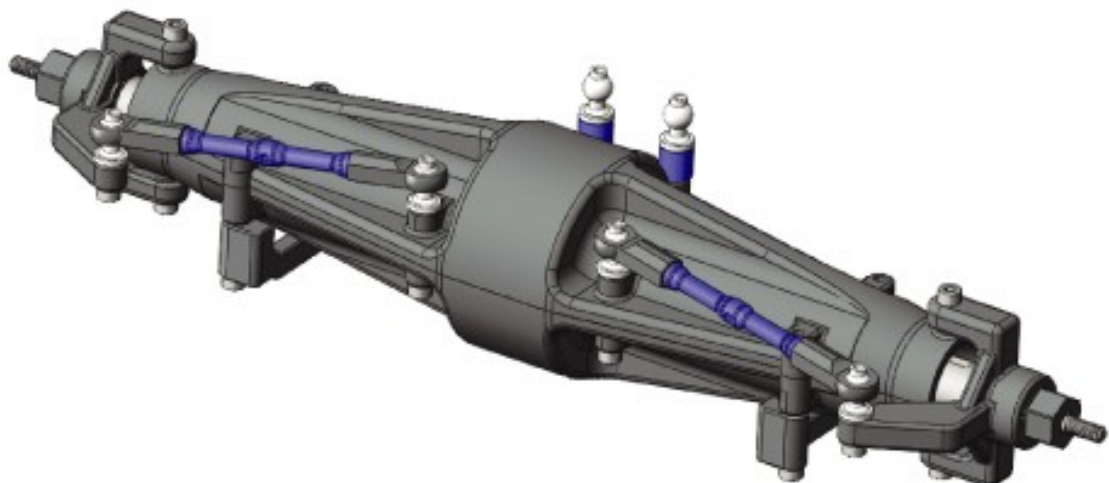
STEP 2-13

REAR GEAR BOX ASSEMBLY



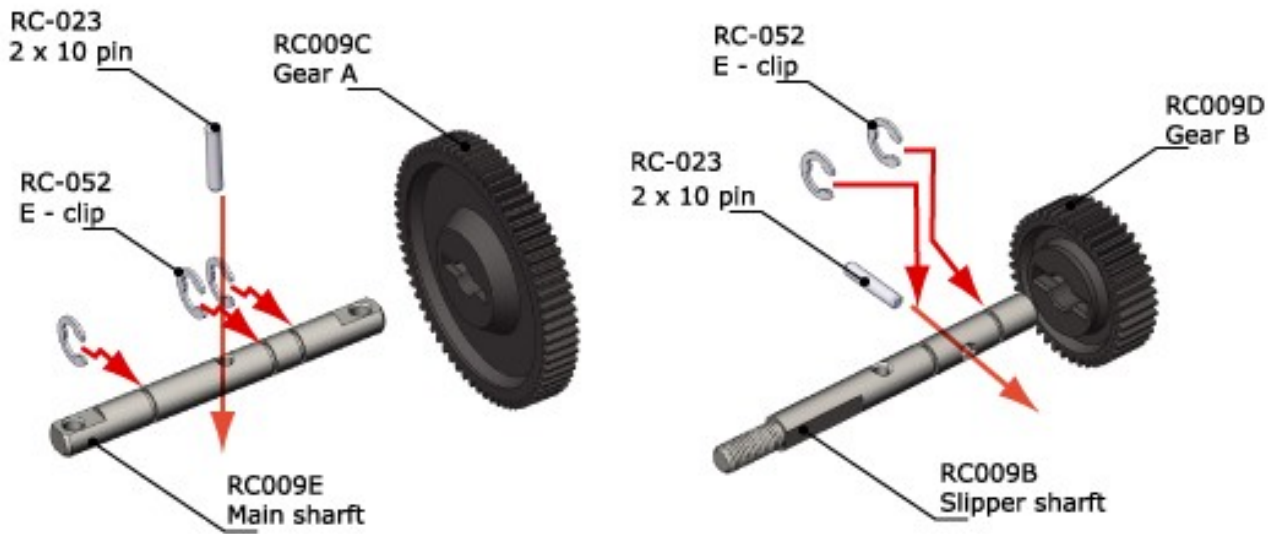
STEP 2-14

REAR GEAR BOX ASSEMBLY COMPLETE



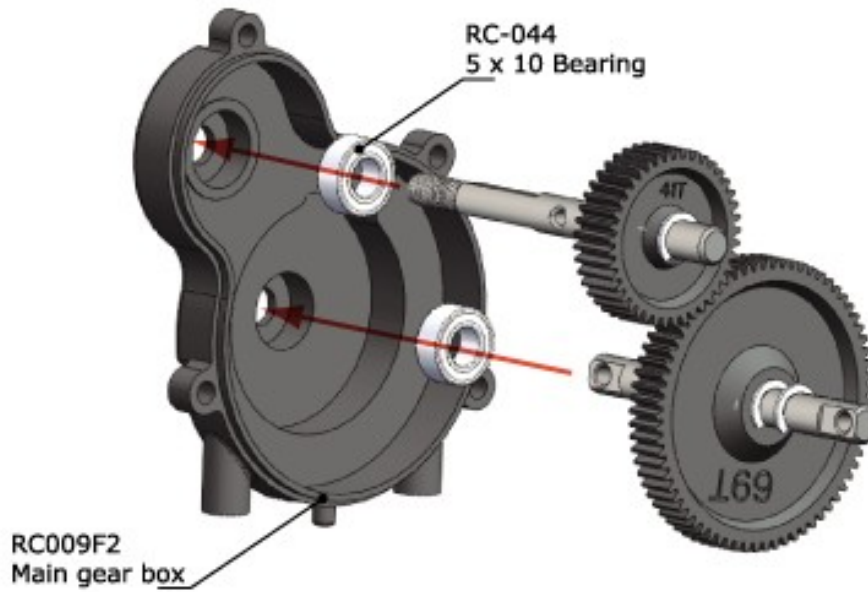
STEP 3-1

CENTER GEAR BOX ASSEMBLY



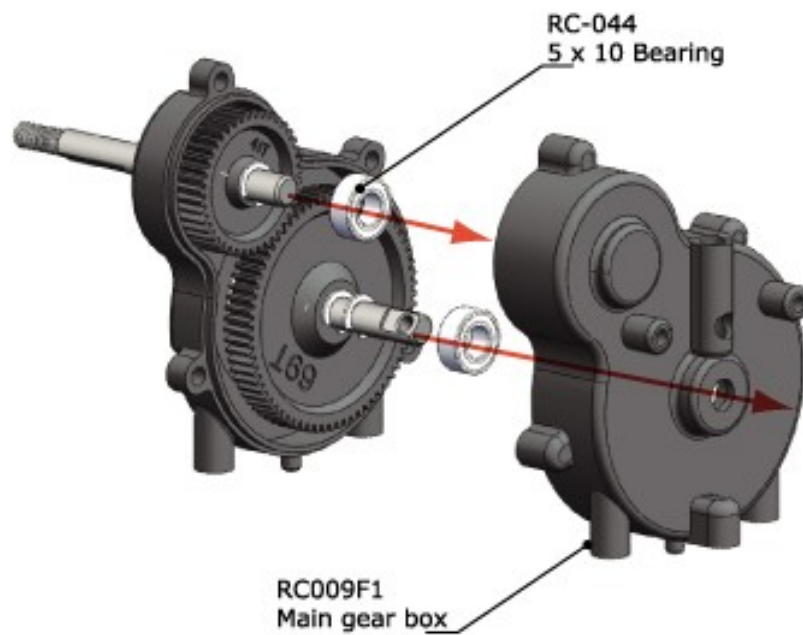
STEP 3-2

CENTER GEAR BOX ASSEMBLY



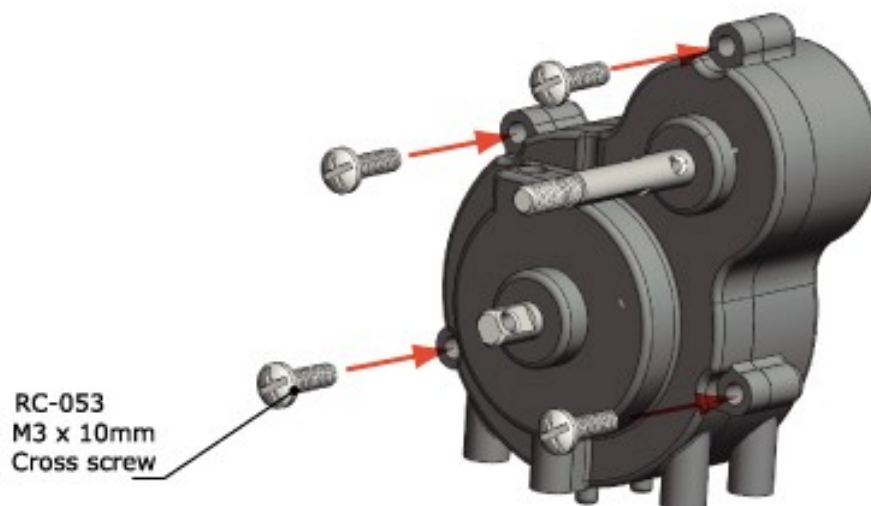
STEP 3-3

CENTER GEAR BOX ASSEMBLY



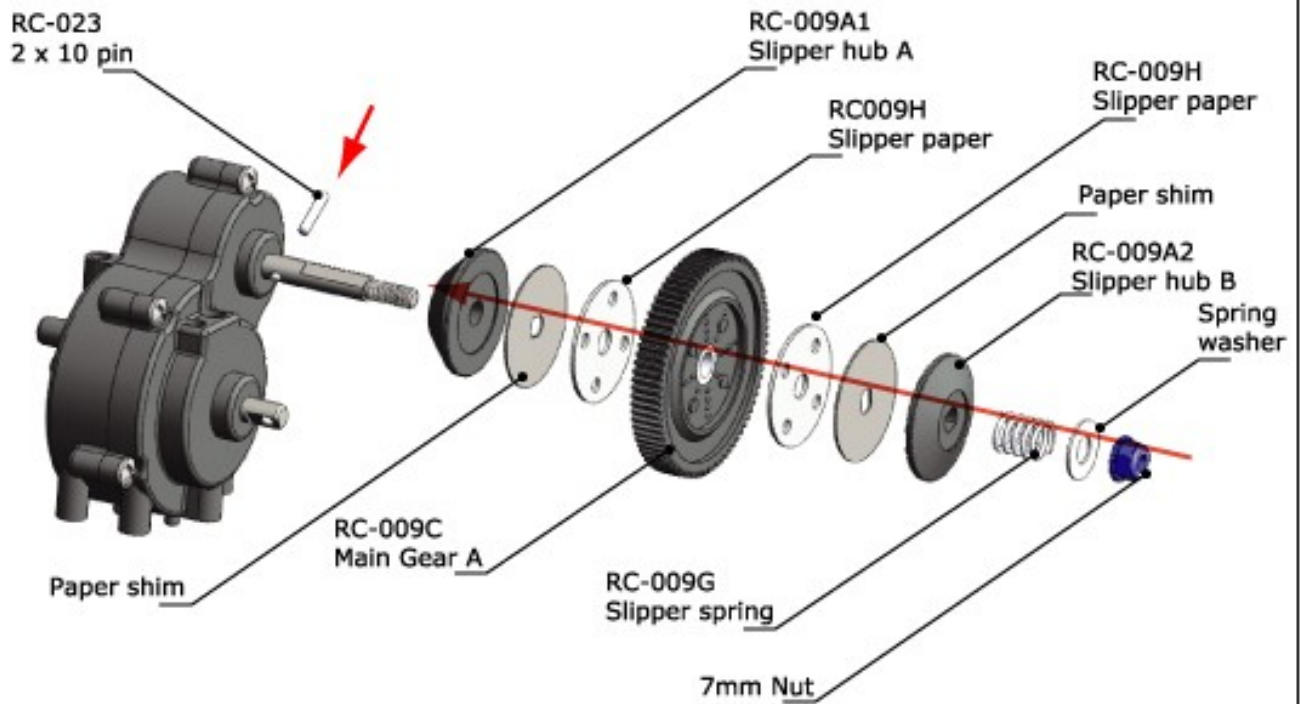
STEP 3-4

CENTER GEAR BOX ASSEMBLY



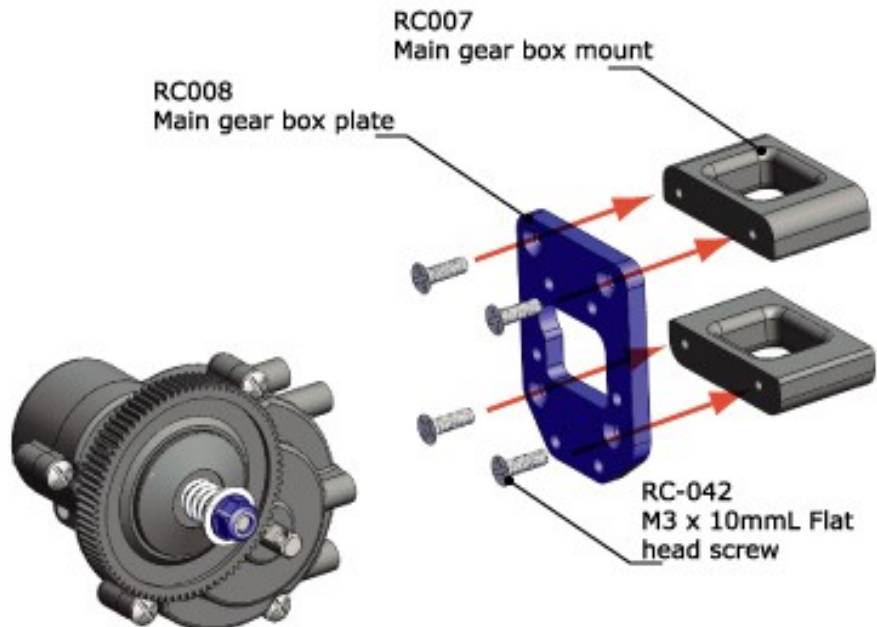
STEP 3-5

CENTER GEAR BOX ASSEMBLY



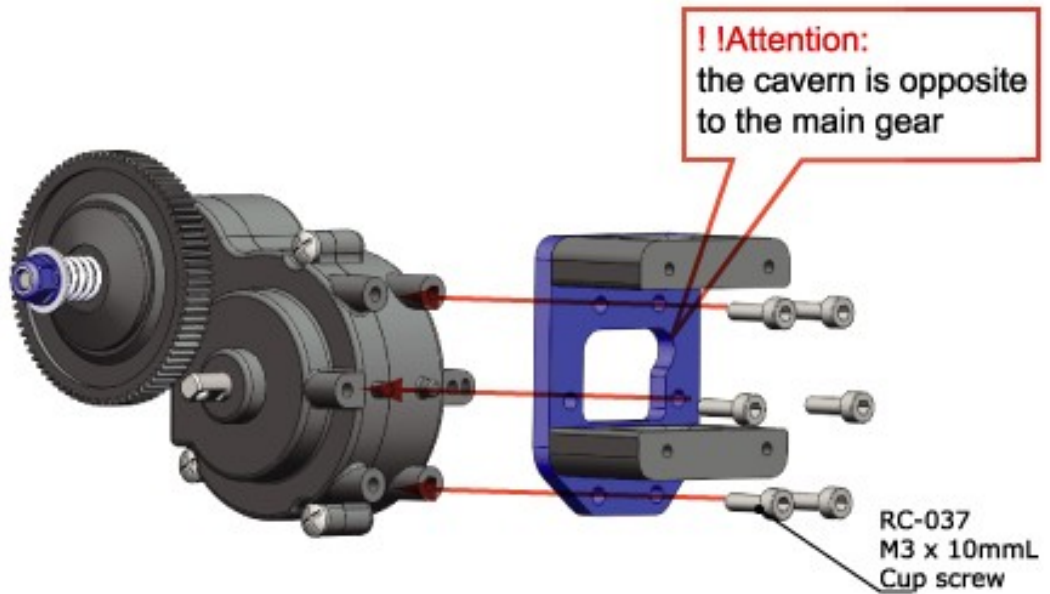
STEP 3-6

CENTER GEAR BOX ASSEMBLY



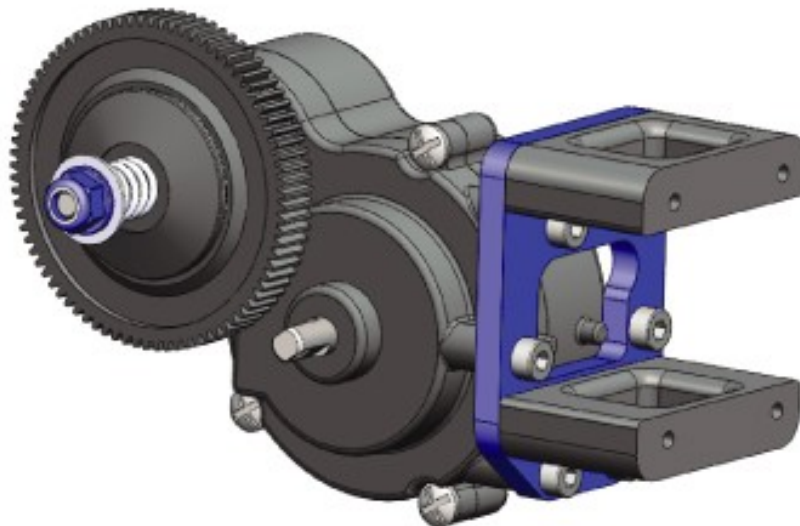
STEP 3-7

CENTER GEAR BOX ASSEMBLY



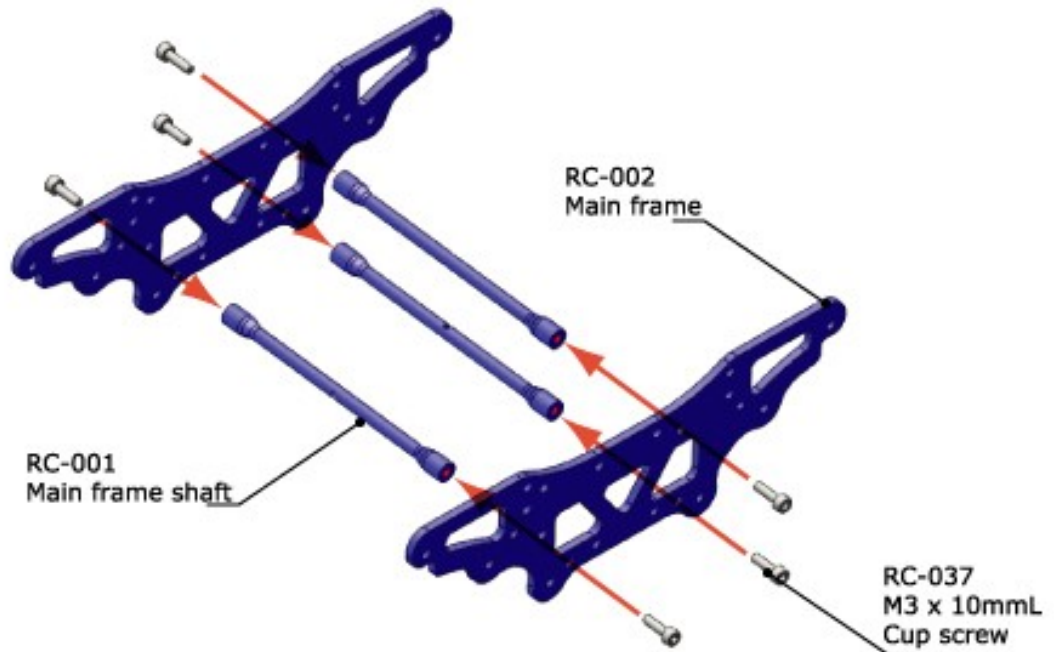
STEP 3-8

CENTER GEAR BOX ASSEMBLY COMPLETE



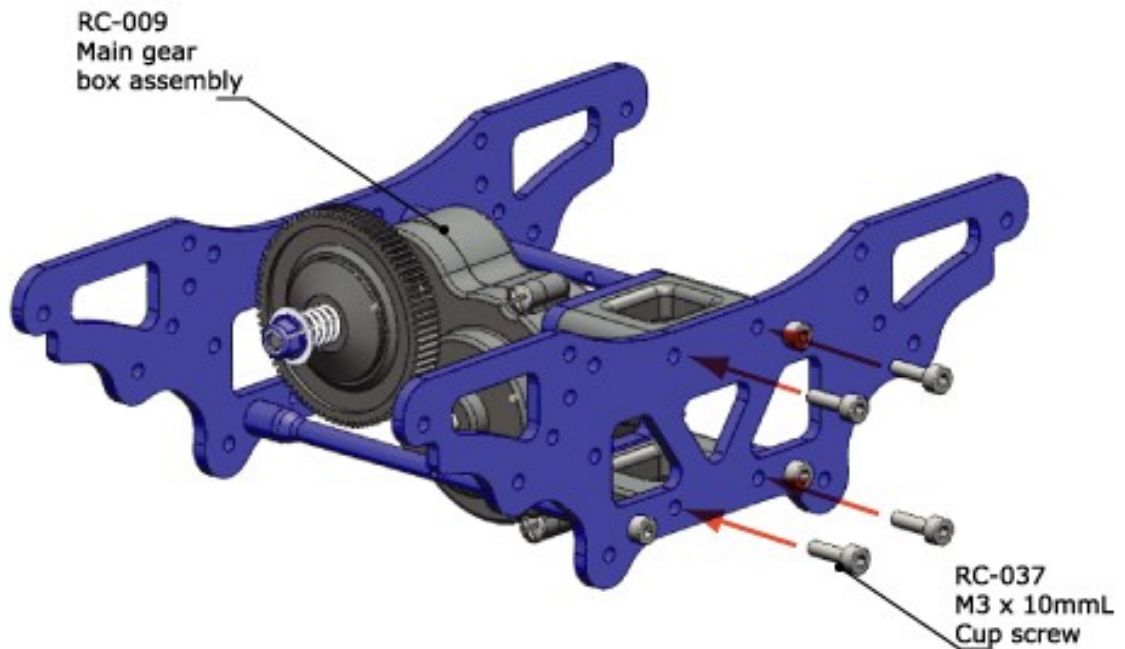
STEP 4-1

MAIN FRAME ASSEMBLY



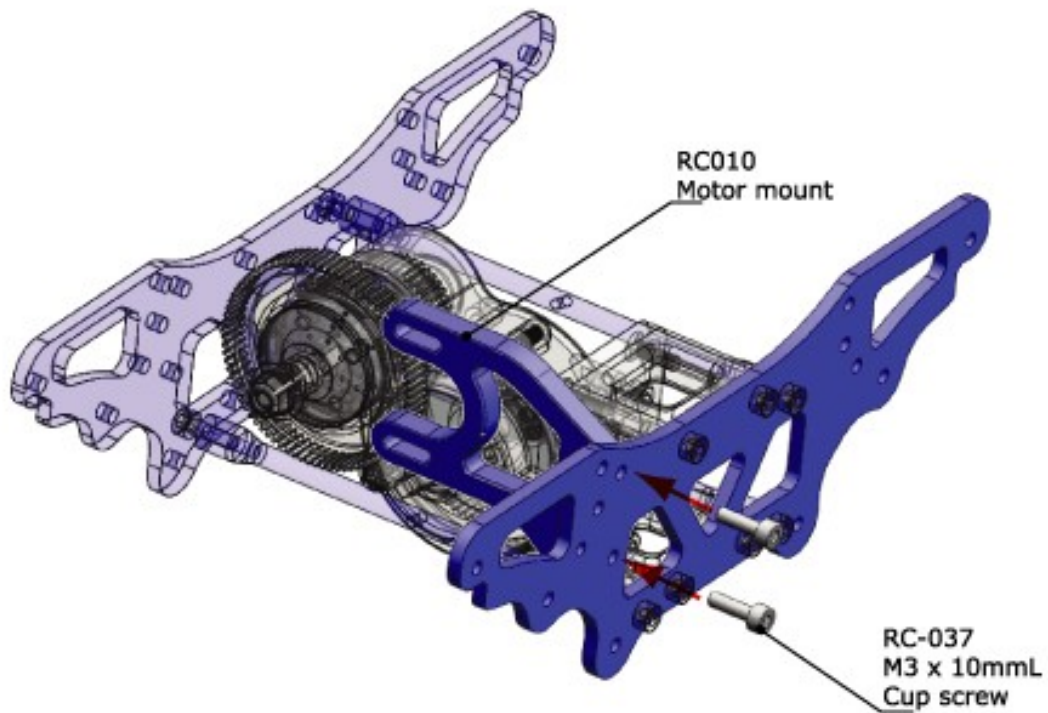
STEP 4-2

MAIN FRAME ASSEMBLY



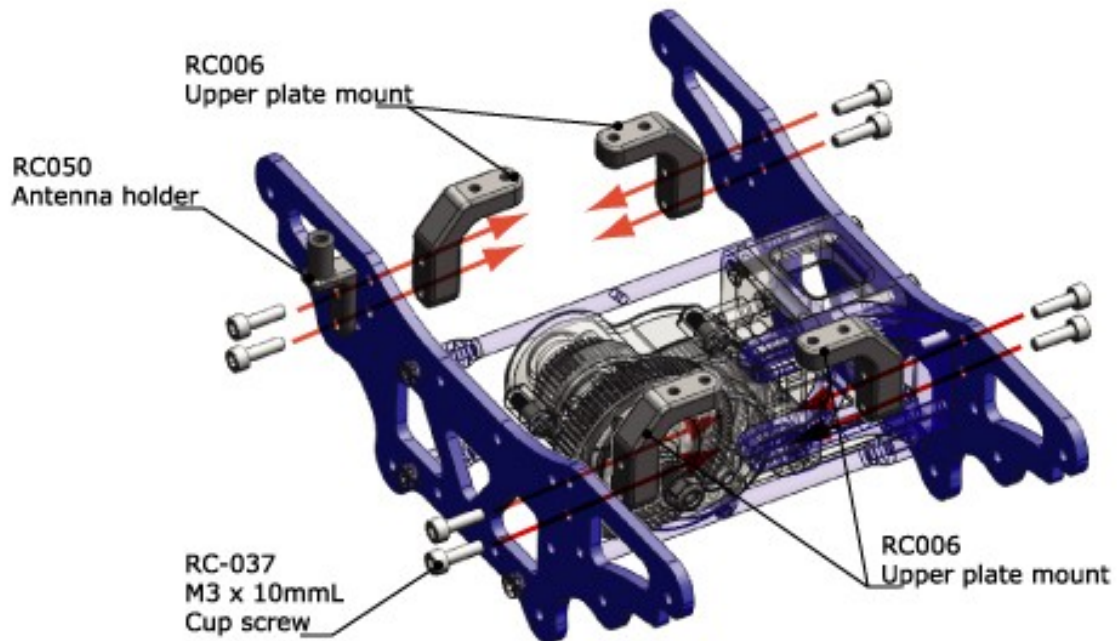
STEP 4-3

MAIN FRAME ASSEMBLY



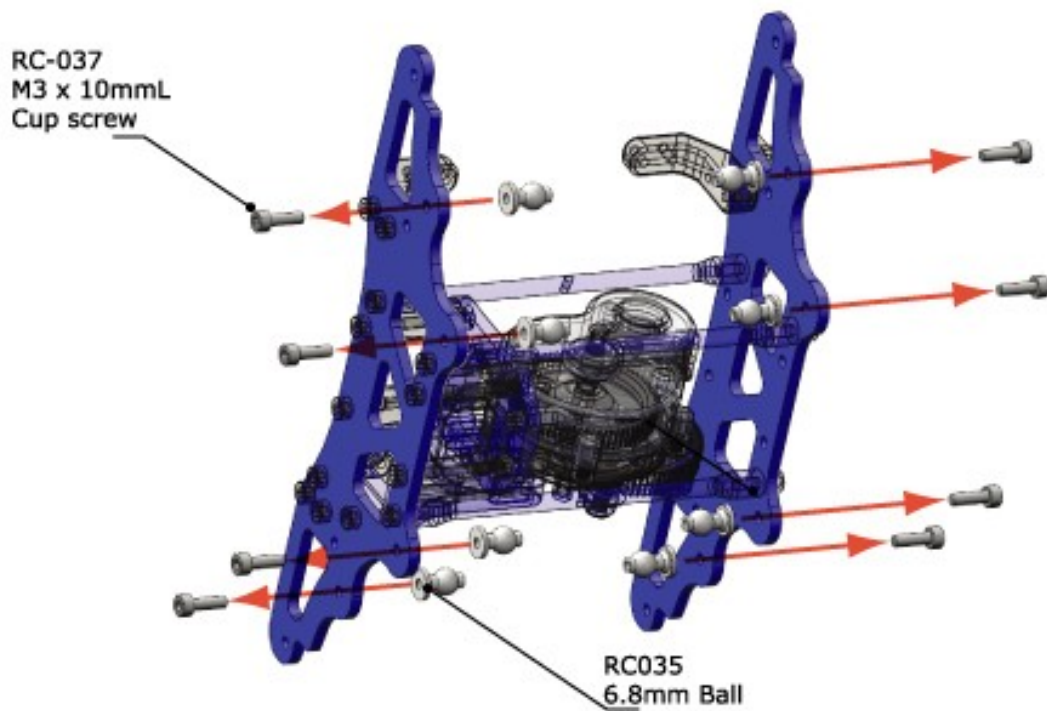
STEP 4-4

MAIN FRAME ASSEMBLY



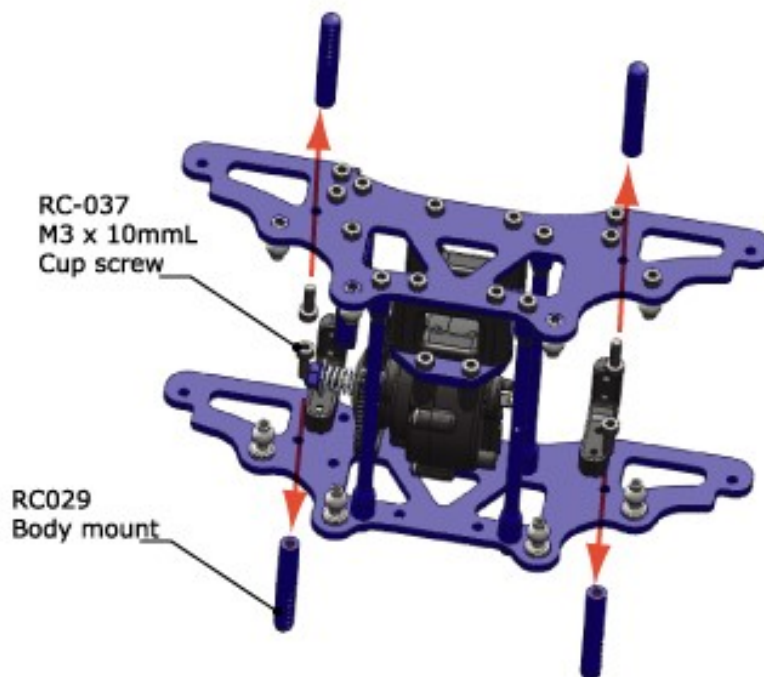
STEP 4-5

MAIN FRAME ASSEMBLY



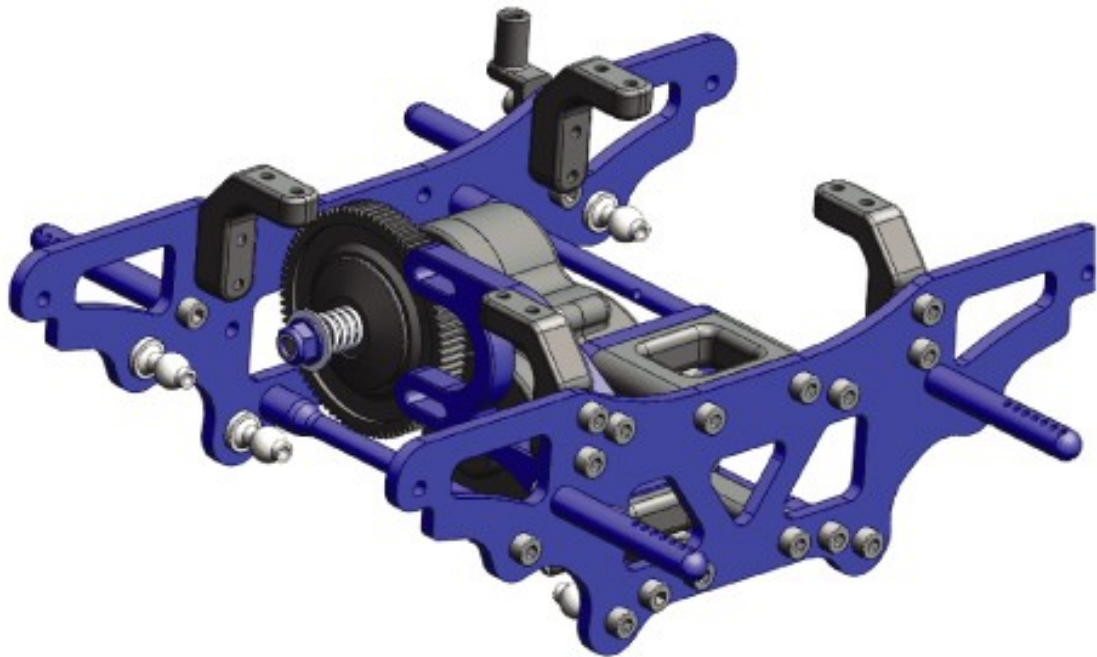
STEP 4-6

MAIN FRAME ASSEMBLY



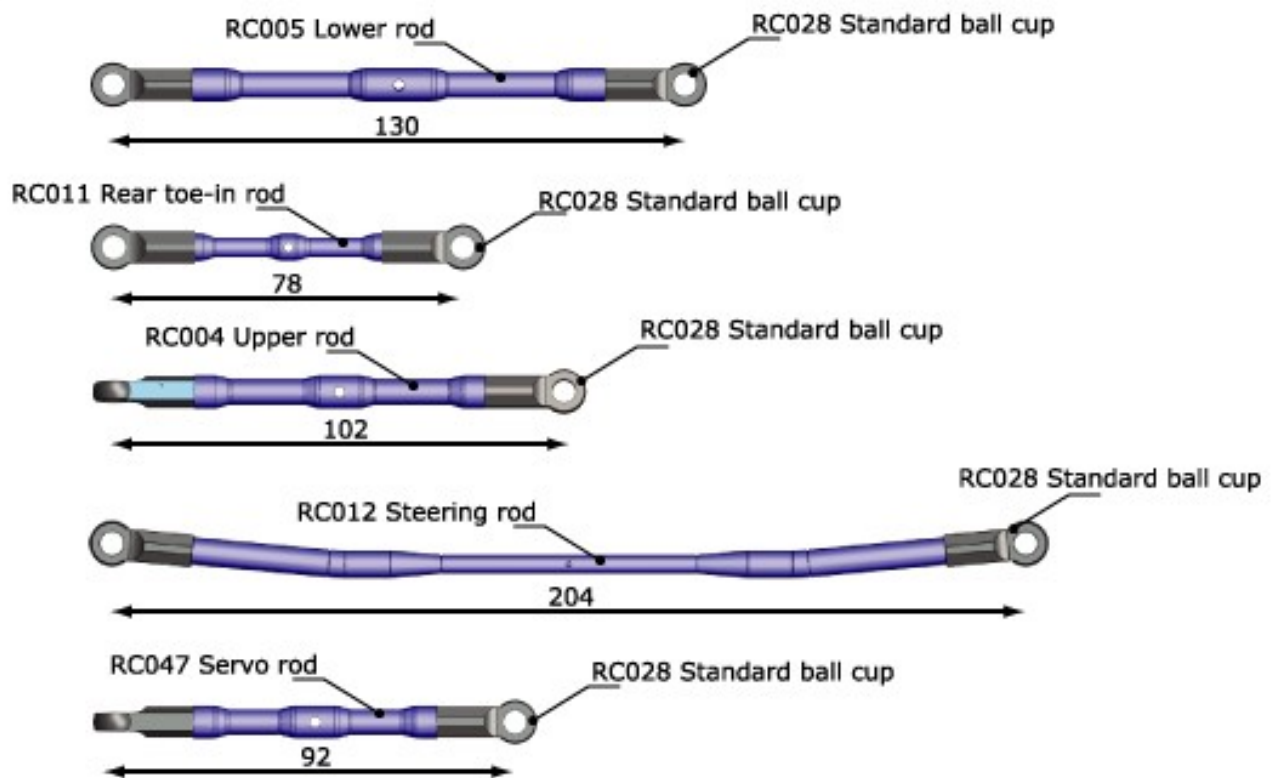
STEP 4-7

MAIN FRAME ASSEMBLY



STEP 5-1

ALL ROD ASSEMBLY



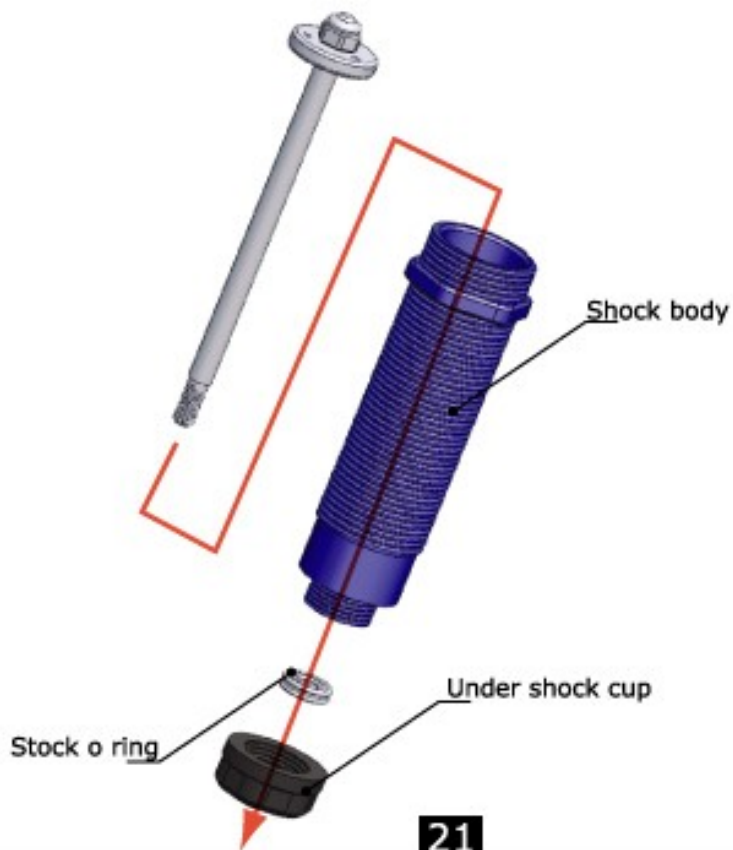
STEP 6-1

SHOCK ASSEMBLY



STEP 6-2

SHOCK ASSEMBLY



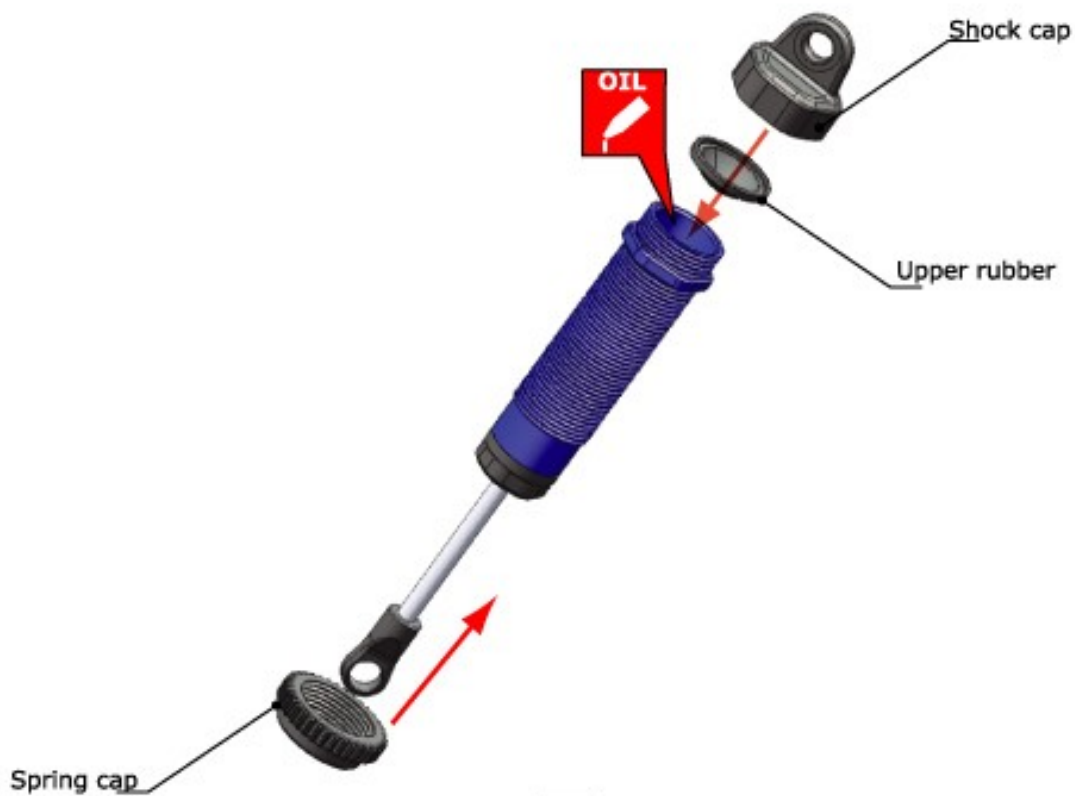
STEP 6-3

SHOCK ASSEMBLY



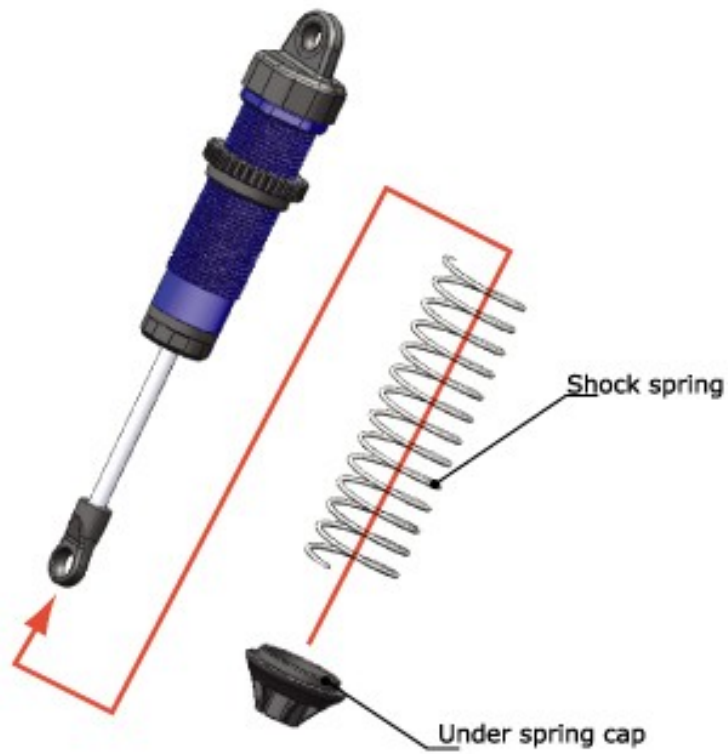
STEP 6-4

SHOCK ASSEMBLY



STEP 6-5

SHOCK ASSEMBLY



STEP 6-6

SHOCK ASSEMBLY



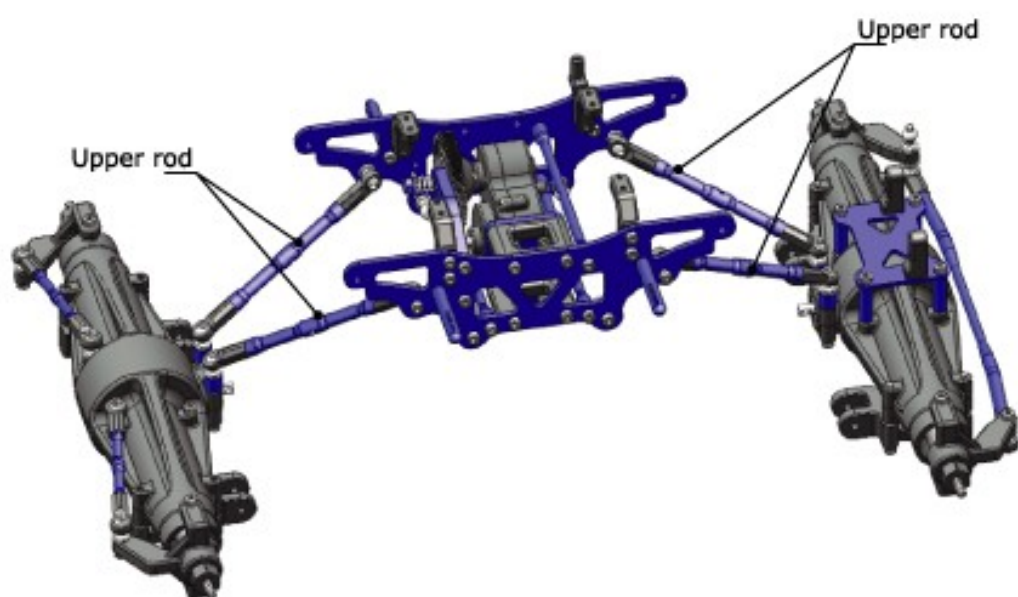
STEP 6-7

SHOCK ASSEMBLY



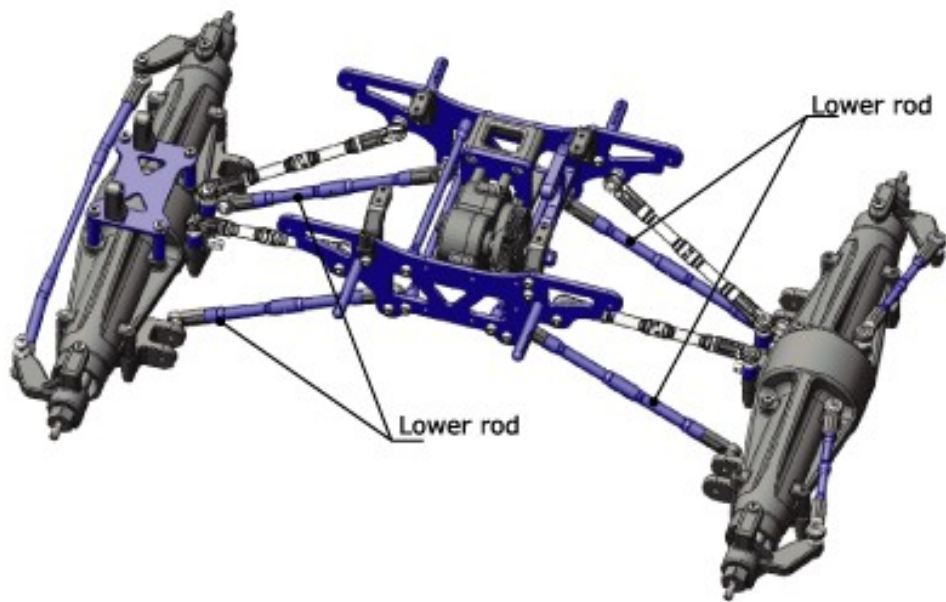
STEP 7-1

UPPER ROD ASSEMBLY



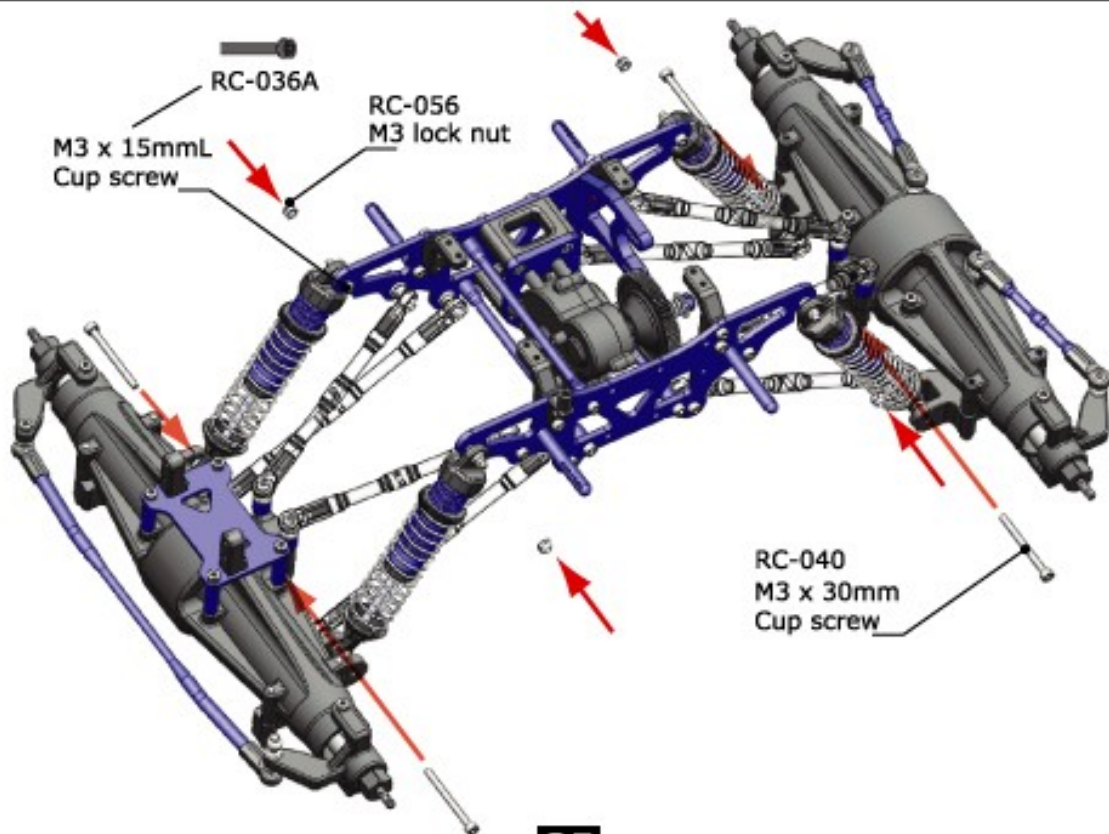
STEP 7-2

LOWER ROD ASSEMBLY



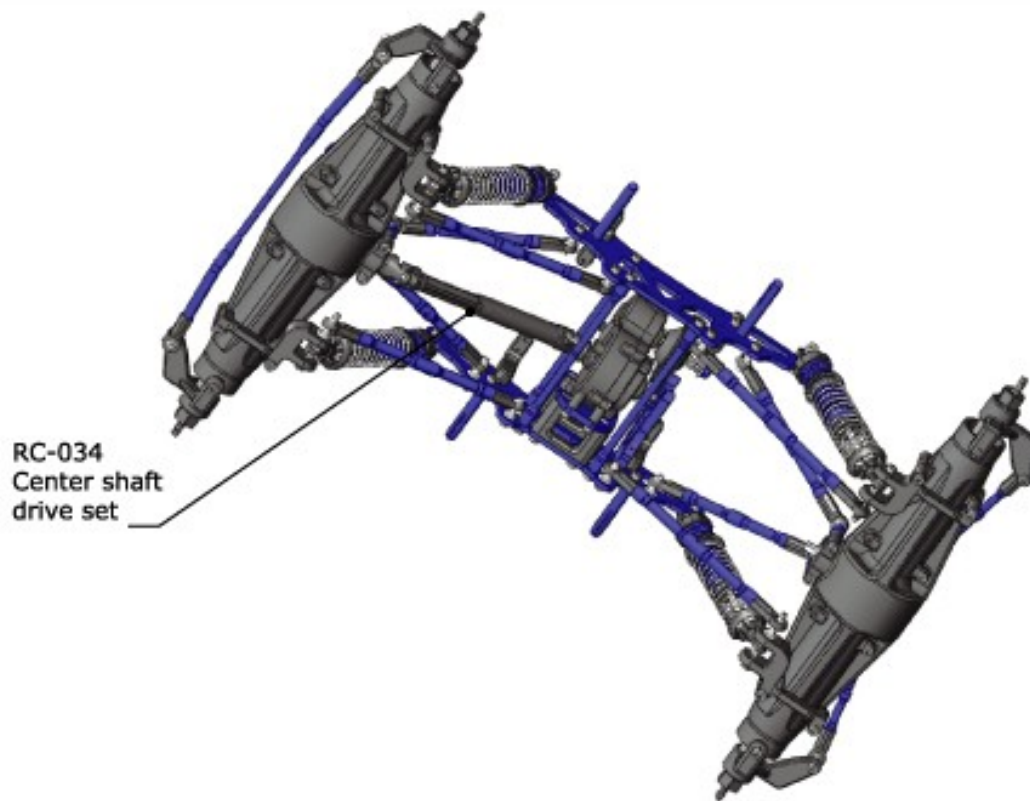
STEP 7-3

SHOCK ASSEMBLY



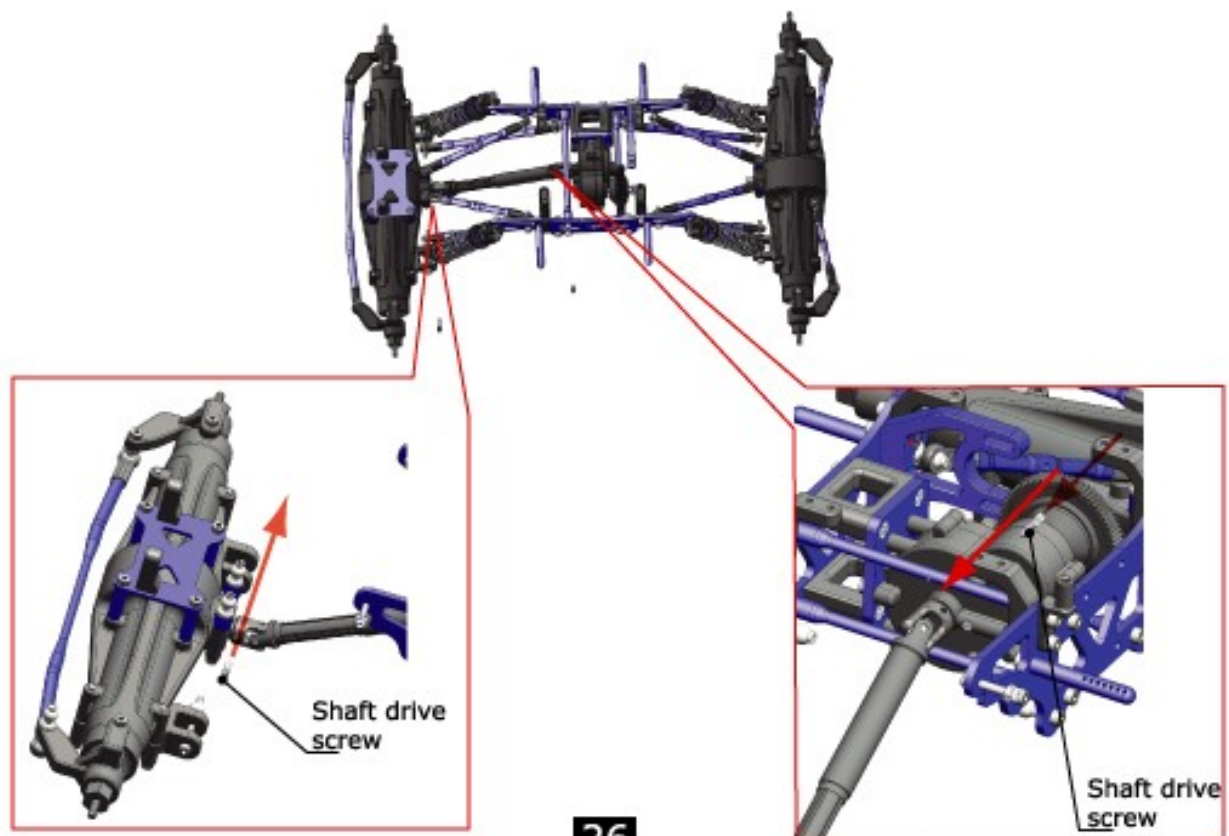
STEP 7-4

SHAFT DRIVE ASSEMBLY



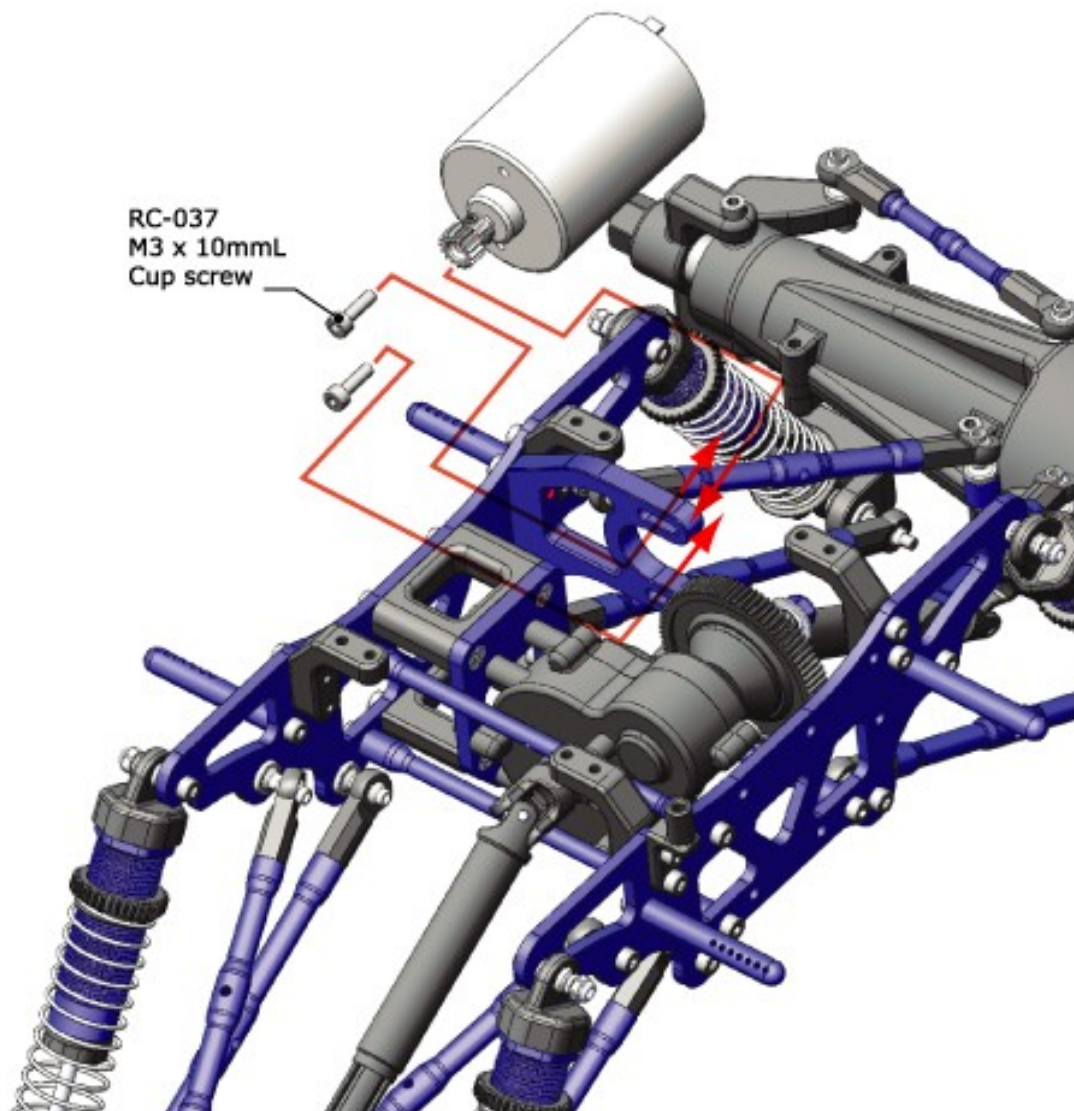
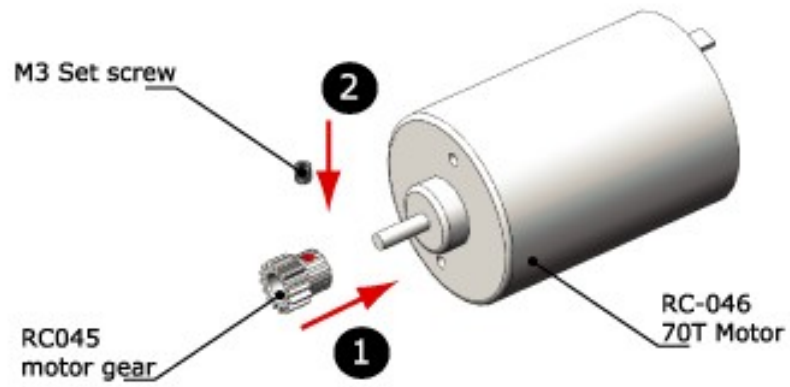
STEP 7-5

SHAFT DRIVE ASSEMBLY



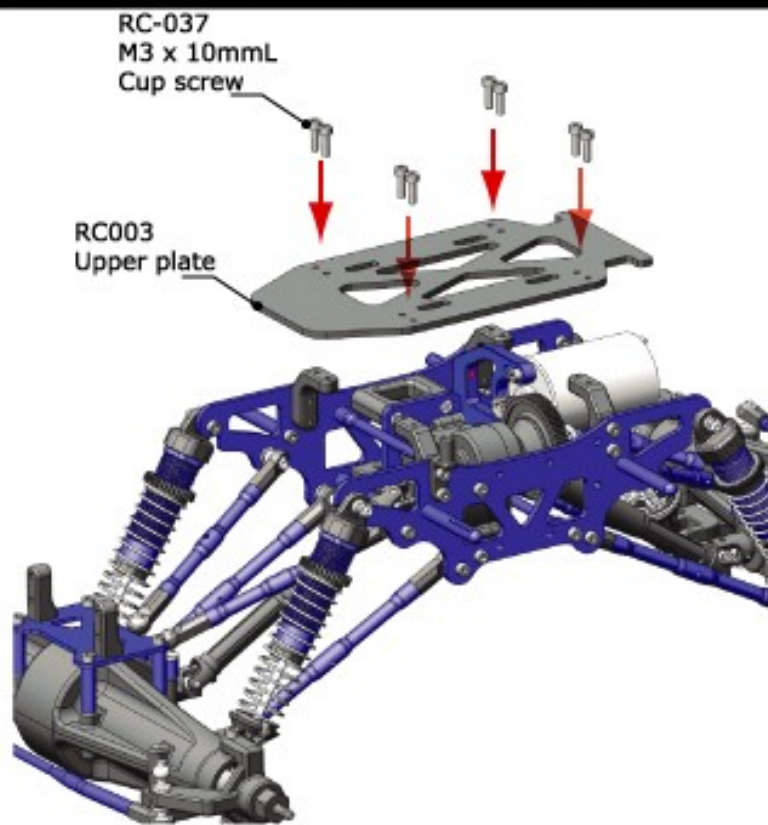
STEP 7-6

MOTOR ASSEMBLY



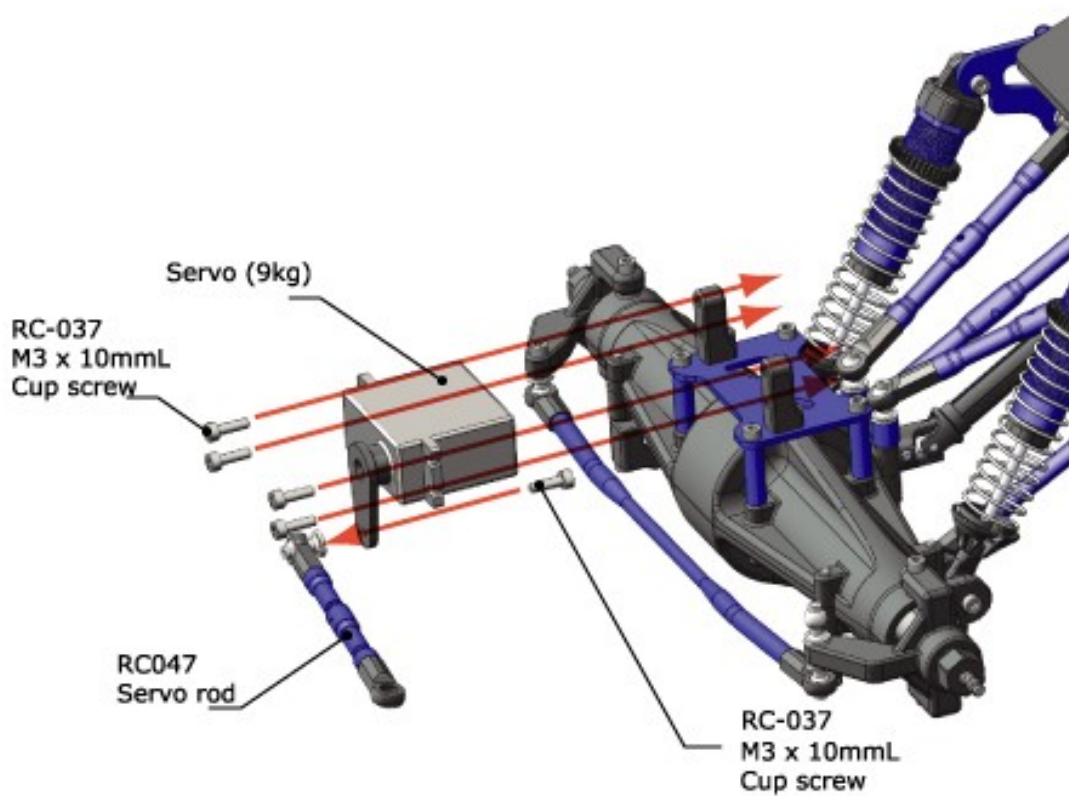
STEP 7-7

UPPER PLATE ASSEMBLY



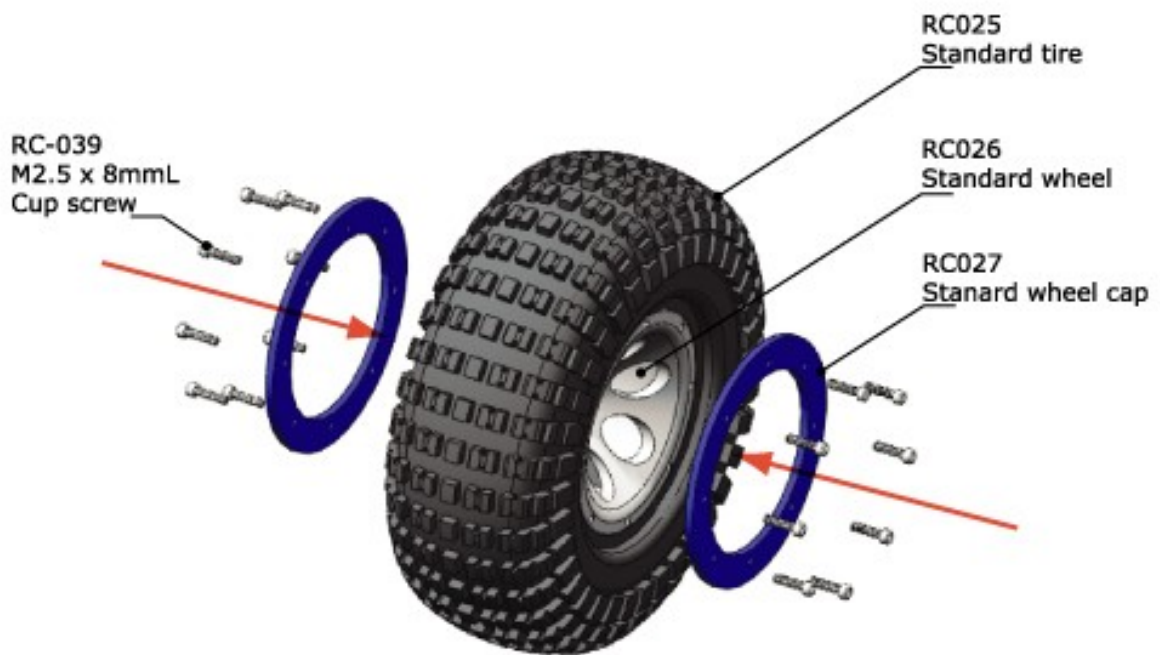
STEP 8-1

STEERING SERVO ASSEMBLY



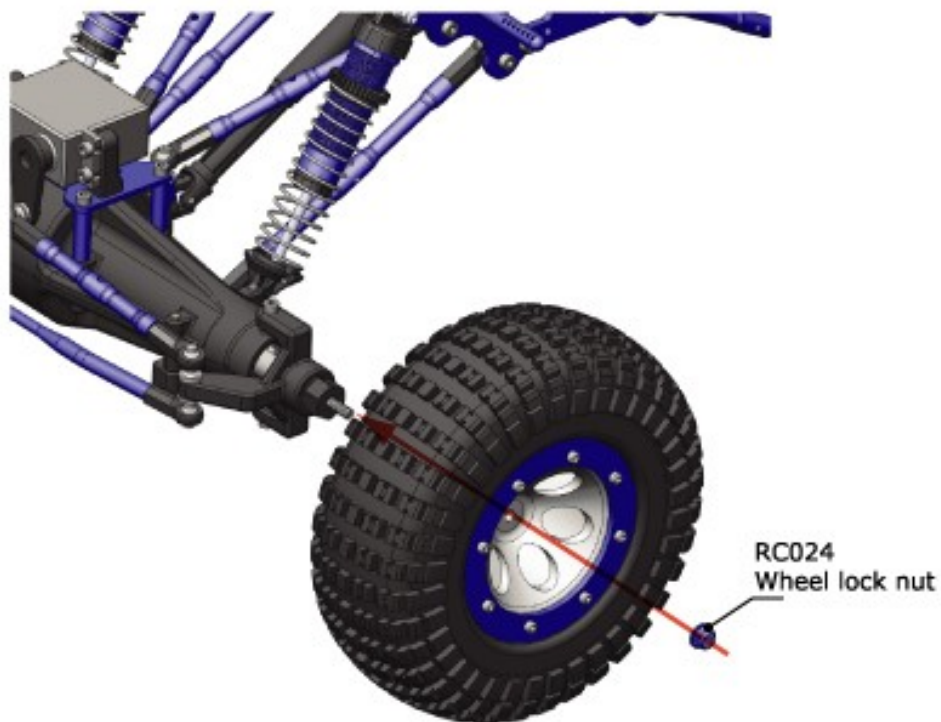
STEP 9-1

TIRE & WHEEL ASSEMBLY



STEP 9-2

TIRE & WHEEL ASSEMBLY





PART LIST



RC-001
MAIN FRAME SHAFT
3PCS



RC-002
MAIN FRAME
2PCS



RC-004
UPPER ROD
4PCS



RC-003
UPPER PLATE
1PCS



RC-005
LOWER ROD
4PCS



RC-009
Main Gear Box
Assmby



RC-006
UPPER PLATE
MOUNT(PLASTIC)
4PCS



RC-007
MAIN GEAR BOX
MOUNT(PLASTIC)
2PCS



RC-008
MAIN GEAR BOX
PLATE
1PCS



RC-009A
SLIPPER HUB
1PCS



RC-009B
SLIPPER SHAFT
1PCS



RC-009C
MAIN GEAR A
1PCS



RC-009D
GEAR B
1PCS



RC-009E
MAIN SHAFT
1PCS



RC-009F1
BOX CASE
1PCS



RC-009F2
BOX CASE
1PCS



RC-009G
SLIPPER SPRING
1PCS



RC-009H
Slipper paper



RC-010
MOTOR PLATE
1PCS



RC-011
REAR TOE-IN ROD
2PCS



RC-012
STEERING ROD
1PCS

PART LIST



RC-013
UPPER GEAR BOX
2PCS



RC-014
LOWER GEAR BOX
2PCS



RC-015A
SHOCK MOUNT A
2PCS



RC-015B
SHOCK MOUNT B
2PCS



RC-016A
CROWN GEAR
2PCS



RC-016B
DIFF. CASE
2PCS



RC-016C-1
DIFF. INNER GEAR
4PCS



RC-016C-2
DIFF. INNER GEAR
SMALL 8PCS



RC-016D
DIFF. BEARING
8PCS



RC-017
DRIVE BEVEL
GEAR
2PCS



RC-017A
DRIVE BEVEL
GEAR SHAFT
2PCS



RC-018
KUNCKLE ARM
4PCS



RC-019
KUNCKLE ARM
COLLOR
8PCS



RC-020
WHEEL CUP JOIN
4PCS



RC-021
DOG BONE
4PCS



RC-022
WHEEL HEX
4PCS



RC-023
2x10MM WHEEL HEX PIN
4PCS



RC-024
WHEEL LOCK NUT
4PCS

PART LIST



RC-025
STANDARD TIRE
4PCS



RC-026
STANDARD WHEEL
4PCS



RC-027
STANDARD WHEEL CAP
8PCS



RC-028
PLASTIC BALL CUP
24PCS



RC-029
BODY MOUNT
4PCS



RC-030
SERVO PLATE SHAFT
4PCS



RC-031
SERVO PLATE
1PCS



RC-032
PLASTIC SERVO MOUNT
2PCS



RC-036
PLASTIC SHOCK SET
4PCS



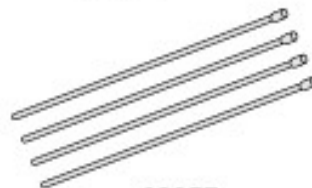
RC-034
CENTER SHAFT DRIVE SET
2PCS



RC-035
6.8MM STEEL BALL
28PCS



RC-036a
M3 X 15MM CUP SCREW + M3 LOCK NUT
2PCS



02057
ANTENNA PIPE
4PCS



RC-037
M3 X 10MM CUP SCREW
12PCS
(44pcs for whole model)



RC-038
M3 X 15MM CUP SCREW
12PCS



RC-039
M2.5 X 8MM CUP SCREW
16PCS
(64pcs for whole model)



RC-040
M3 X 30MM CUP SCREW
12PCS



RC-041
M3 X 35MM CUP SCREW
12PCS

PART LIST



RC-042
M3 X 10MM FLAT HEAD SCREW
4PCS



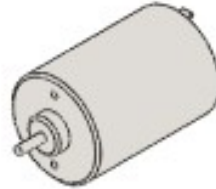
RC-043
6 X 12 X 4MM BEARING
8PCS



RC-044
5 X 10 X 4MM BEARING
6PCS



RC-045
MOTOR GEAR 15T
1PCS



RC-046
70T MOTOR
1PCS



RC-047
SERVO ROD
1PCS



RC-048
8MM COLLAR
4PCS



RC-050
ANTENNA HOLDER
1PCS



RC-051
BATTERY BELT
2PCS



RC-052
E - CLIPS
10PCS



RC-053
M3 x 10mm
Cross screw
4PCS



RC-054
M3 x 15mm
Set screw
1PCS



RC-055
M3 x 8mm
Cross screw
2PCS



RC-056
M3 lock nut
4PCS



RC-057
M3 x 40mm
Cup screw
4PCS

RC-049 BODY SHELL



10333



10334



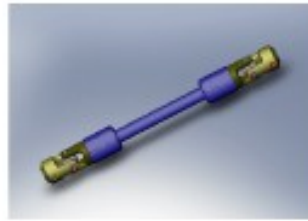
10312A



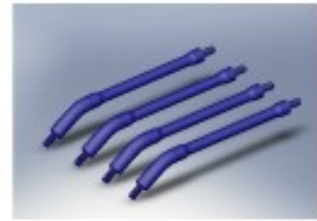
OPTION PARTS FOR ROCK CRUSHER



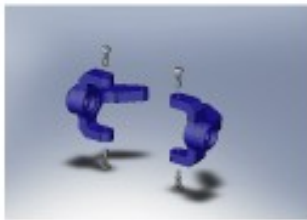
RCO-001
(AL.WHEEL)



RCO-002
(CENTER SHAFT DRIVE)



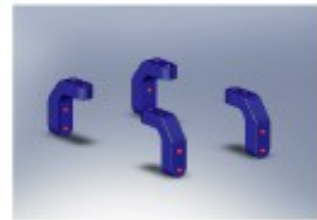
RCO-003
(30 LOWER ROD)



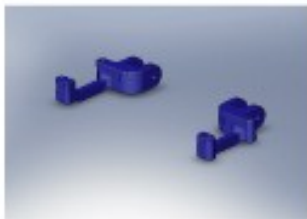
RCO-004
(ALUMIUM KNUCKLE ARM)



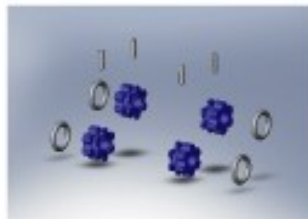
RCO-005
(WHEEL UNIVERSAL)



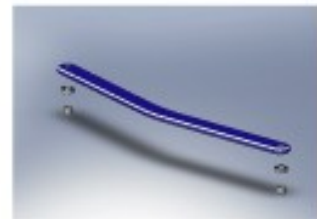
RCO-006
(UPPER PLATE MOUNT)



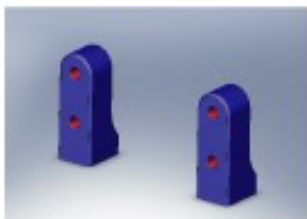
RCO-007
(ALUMIUM SHOCK HOLDER)



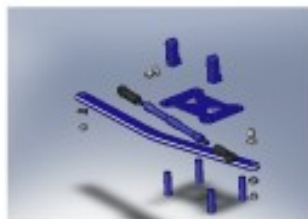
RCO-008
(WHEEL HEX SET)



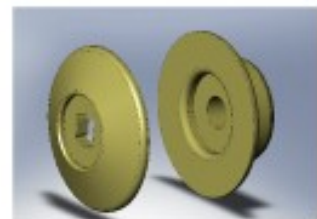
RCO-009
(STEERING BAR WITH BEARING)



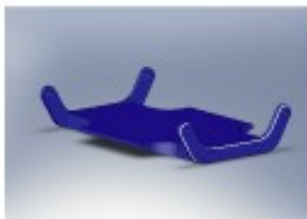
RCO-010
(AL.SERVO MOUNT)



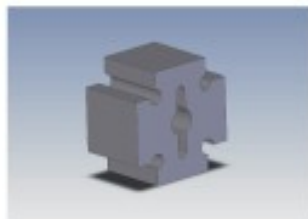
RCO-011
(FOUR WHEEL STEERING CONVERSION SET)



RCO-012
(SLIPPER HUBS WITH HARD ANODIZE)



RCO-013
(AL.UNDER PLATE)



RCO-014
(DIFF LOCKER)



www.HIMOTORACING.COM

NOT RESPONSIBLE FOR TYPOGRAPHICAL ERRORS